

Product Sheet



Item No.

100 A A B 5 D 3 9

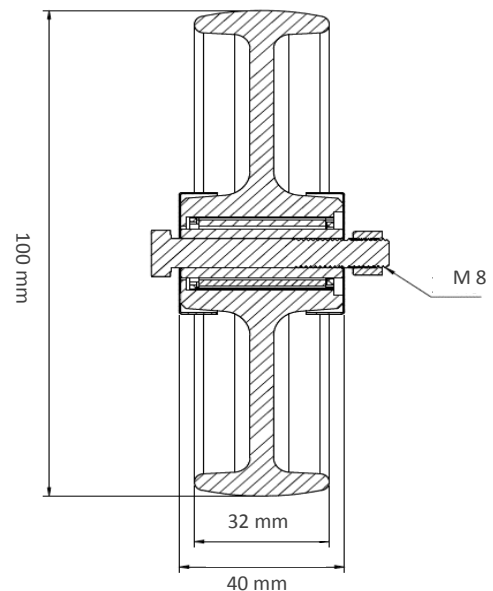
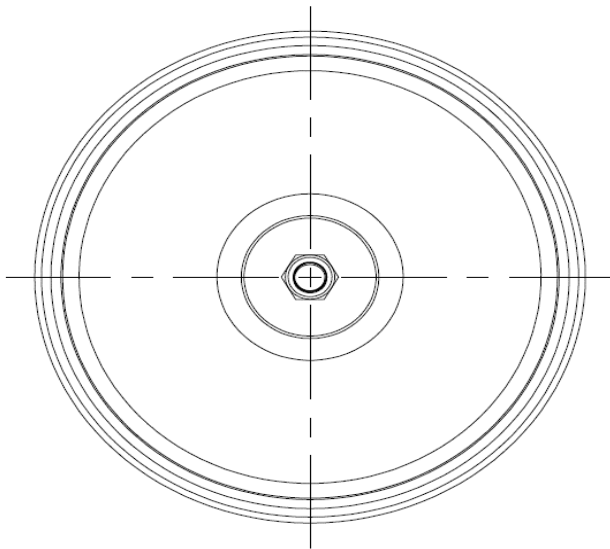
housing / data

housing type
series
fixing type
hole dimensions / hub width
thickness of fixing / fork
surface treatment



wheel / data

diameter	100 mm
wheel center	Aluminium
wheel tread	Polyurethane 92° Shore A brown
bearing	double ball bearing
threadguard	small plastic threadguard
hub width	40 mm
axle diameter	M 8
temperature range	-20°C - +60°C
dyn. load capacity	180 kg
test norm	DIN EN 12532



Deviation possible! All information is subject to change.