

Product Sheet



Item No.

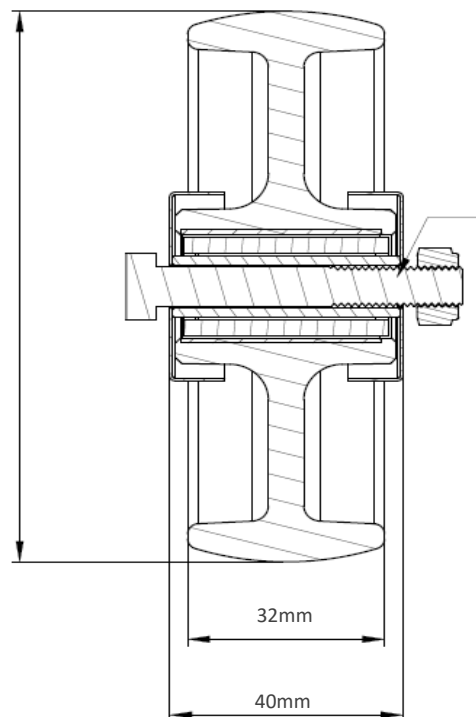
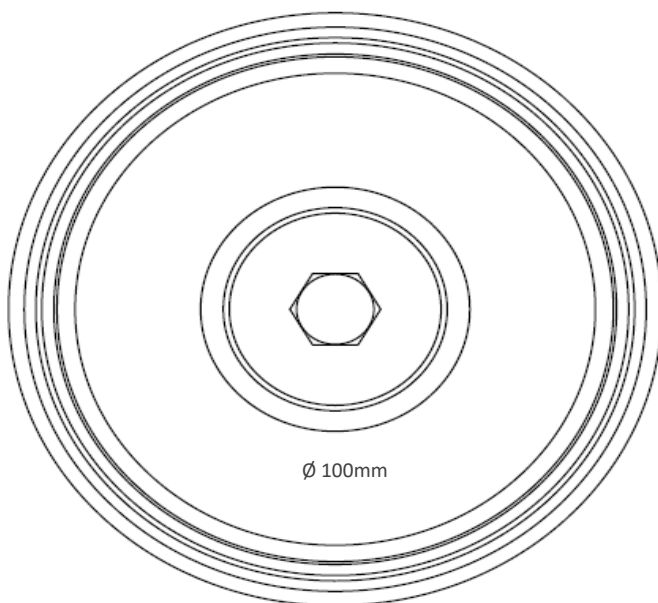
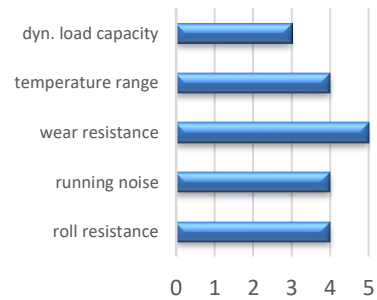
100 N 2 U 6 B 3 2

housing / data

housing type
series
fixing type
hole dimensions / hub width
thickness of fixing / fork
surface treatment

wheel / data

diameter	100 mm
wheel center	Polyamide grey
wheel tread	Polyurethane red
bearing	single ball bearing
threadguard	small plastic threadguard
hub width	40 mm
axle diameter	M 8
temperature range	-40°C - +80°C
dyn. load capacity	150 kg
Test norm	DIN EN 12532



Deviation possible! All information is subject to change.