

Product Sheet



Item No.

100 S W S 4 R 0 N

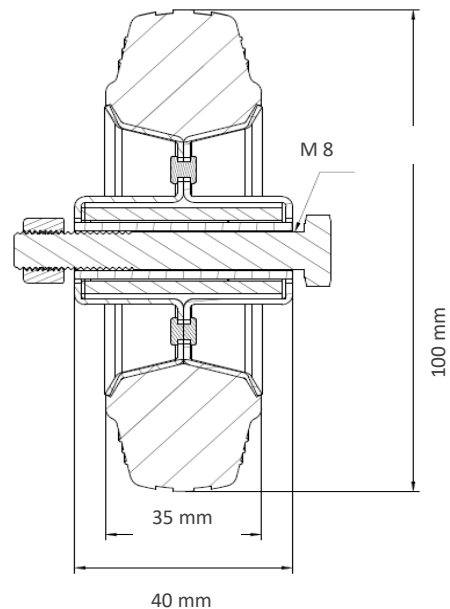
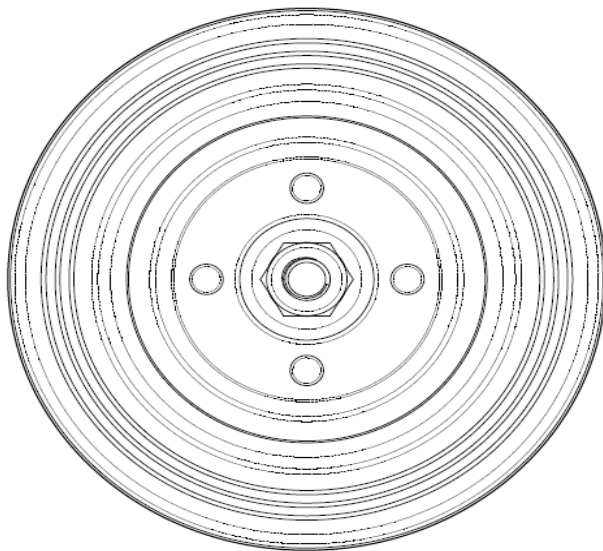
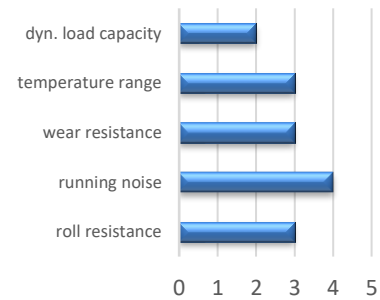
housing / data

housing type
series
fixing type
hole dimensions / hub width
thickness of fixing / fork
surface treatment



wheel / data

| | |
|--------------------|-------------------------|
| diameter | 100 mm |
| wheel center | Steel Rim white |
| wheel tread | solid rubber white |
| bearing | roller bearing |
| threadguard | no separate threadguard |
| hub width | 40 mm |
| axle diameter | M 8 |
| temperature range | -20°C - +60°C |
| dyn. load capacity | 75 kg |
| test norm | DIN EN 12532 |



Deviation possible! All information is subject to change.