

Product Sheet



Item No.

125 N 0 N 0 B 3 0

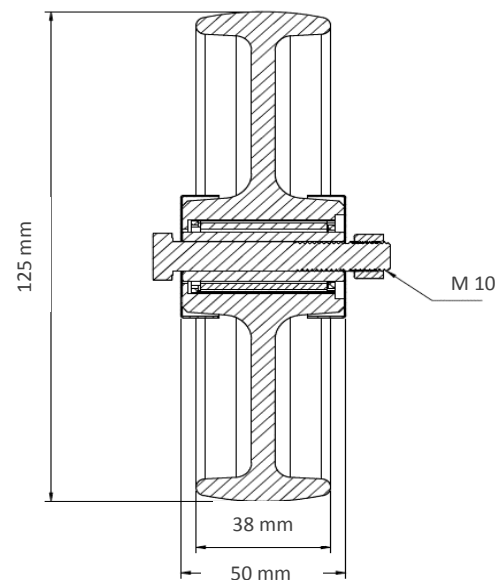
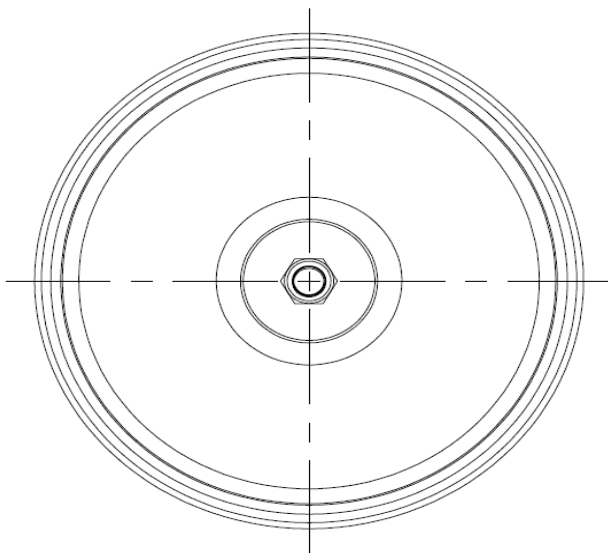
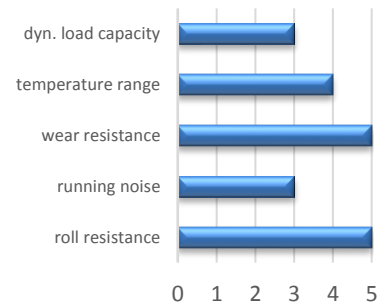
housing / data

housing type
series
fixing type
hole dimensions / hub width
thickness of fixing / fork
surface treatment



wheel / data

diameter	125 mm
wheel center	Polyamide white
wheel tread	Polyamide white
bearing	single ball bearing
threadguard	small plastic threadguard
hub width	50 mm
axle diameter	M 10
temperature range	-40°C - +80°C
dyn. load capacity	200 kg
test norm	DIN EN 12532



Deviation possible! All information is subject to change.