

# Product Sheet



Item No.

150 P 2 T 2 P 0 N

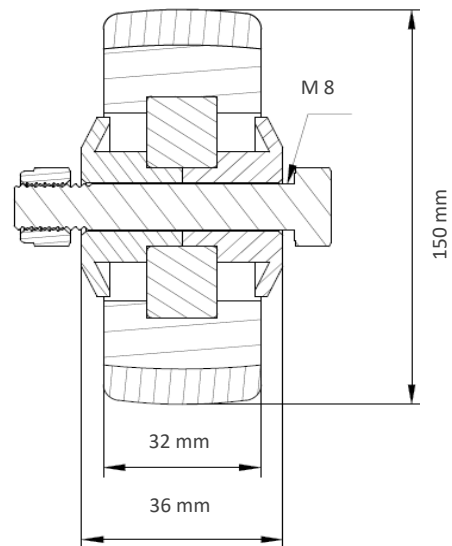
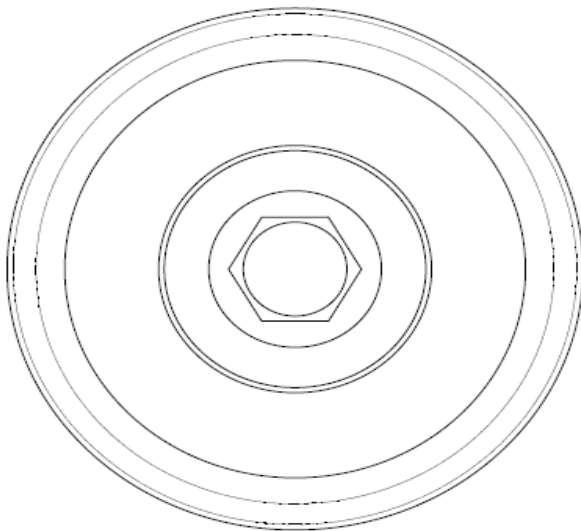
## housing / data

housing type  
series  
fixing type  
hole dimensions / hub width  
thickness of fixing / fork  
surface treatment



## wheel / data

diameter	150 mm
wheel center	Polypropylene white
wheel tread	thermopl. rubber 95° Shore A white
bearing	plain bearing
threadguard	no separate threadguard
hub width	36 mm
axle diameter	M 8
temperature range	-20°C - +60°C
dyn. load capacity	100 kg
test norm	DIN: EN 12530



Deviation possible! All information is subject to change.