

# Product Sheet



Item No.

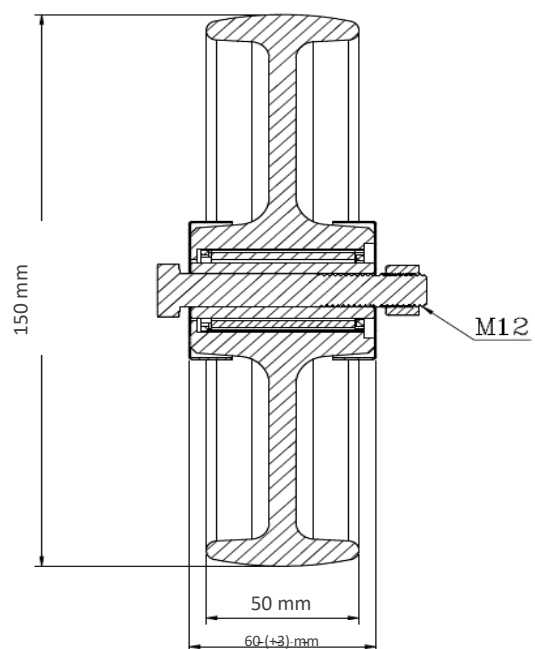
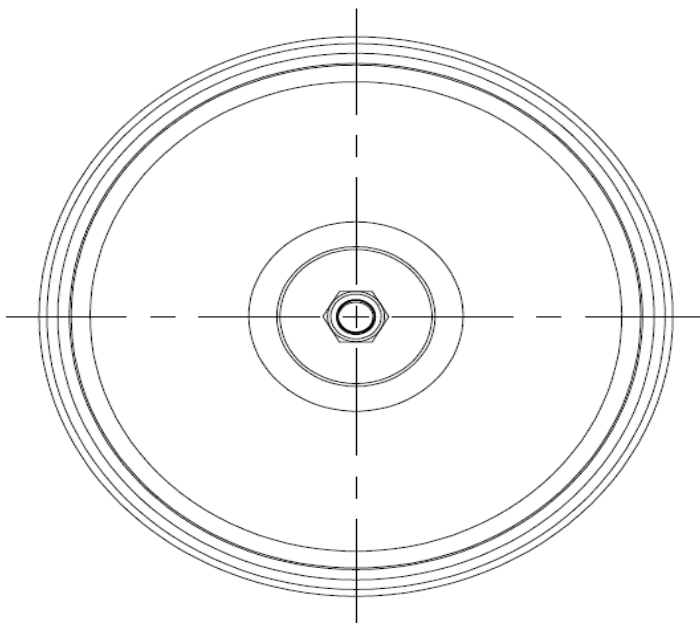
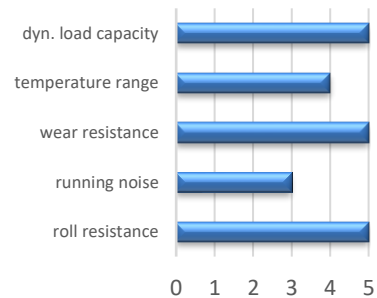
150 Z 0 Z 0 D 0 N

## housing / data

housing type  
series  
fixing type  
hole dimensions / hub width  
thickness of fixing / fork  
surface treatment

## wheel / data

diameter 150 mm  
wheel center Polyamide (Heavy Duty) white  
wheel tread Polyamide (Heavy Duty) white  
bearing double ball bearing 6204 ZZ  
threadguard no separate threadguard  
hub width 60 mm  
axle diameter M 12  
temperature range -40°C - +80°C  
dyn. load capacity 800 kg  
Test norm DIN EN 12533



Deviation possible! All information is subject to change.