

# Product Sheet



Item No.

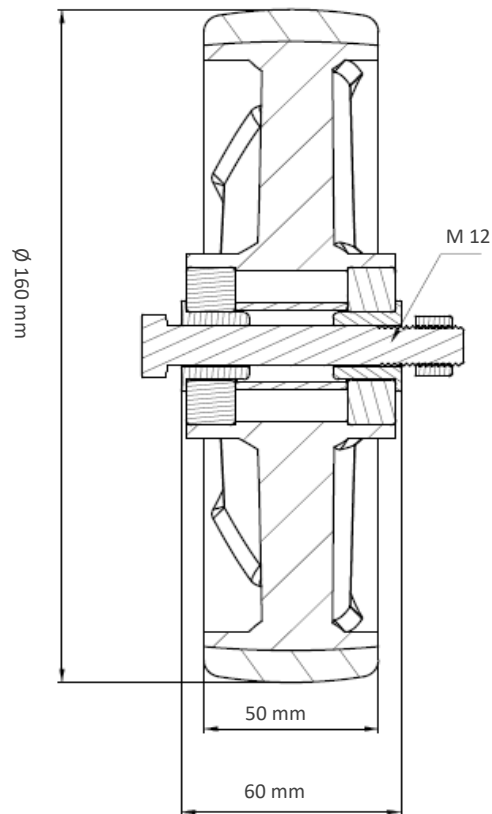
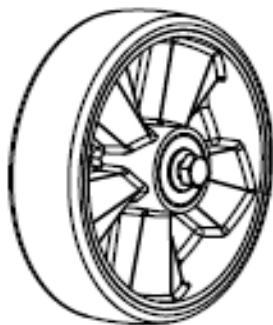
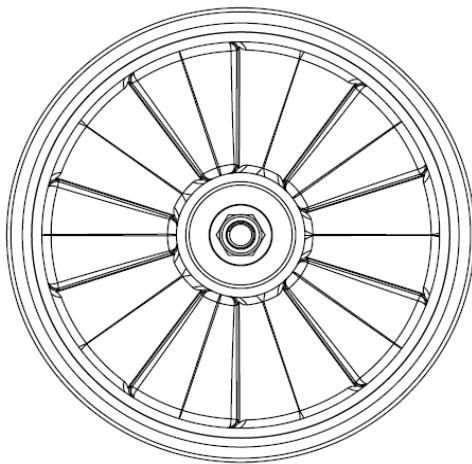
160 B A F 2 D 0 N

## housing / data

housing type  
series  
fixing type  
hole dimensions / hub width  
thickness of fixing / fork  
surface treatment

## wheel / data

diameter	160 mm
wheel center	Aluminium (Heavy Duty)
wheel tread	elastic 70-75° Shore A grey
bearing	double ball bearing
threadguard	no separate threadguard
hub width	60 mm
axle diameter	M 12
temperature range	-20°C - +80°C
dyn. load capacity	400 kg



**Deviation possible! All information is subject to change.**