

Product Sheet



Item No.

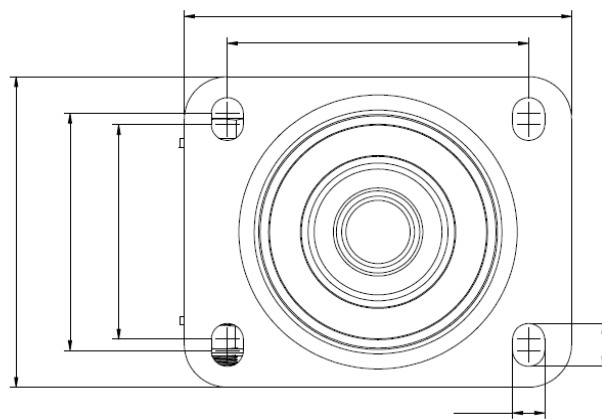
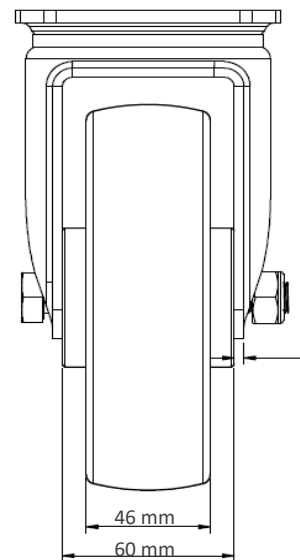
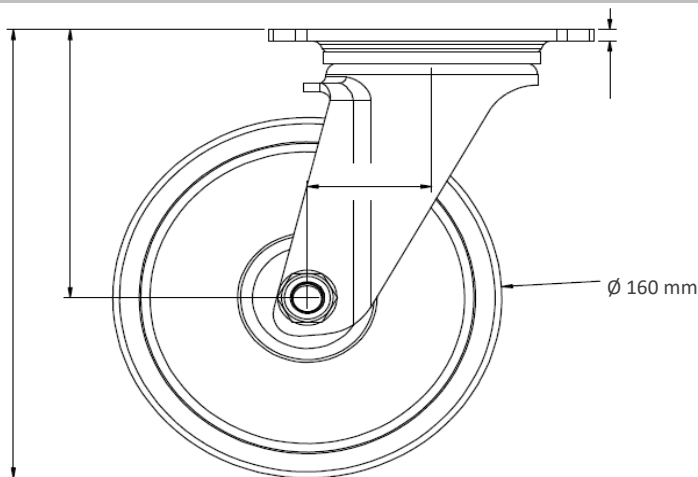
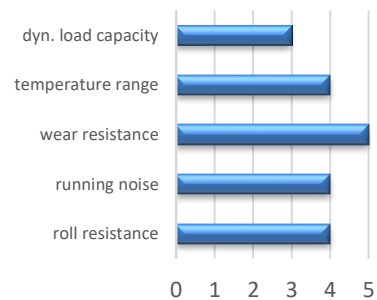
160 N 2 U 6 R 1 W

housing / data

housing type
series
fixing type
hole dimensions / hub width
thickness of fixing / fork
surface treatment

wheel / data

diameter 160 mm
wheel center Polyamide grey
wheel tread Polyurethane red
bearing roller bearing
threadguard small metal threadguard
hub width 60 mm
axle diameter M 12
temperature range -40°C - +80°C
dyn. load capacity 300 kg
Test norm DIN EN 12532



housing not included

Deviation possible! All information is subject to change.