



200P2G2B32E

WHEEL Ø 200 MM SERIES P2G2 (ESD) BALL BEARING

WHEEL

wheel diameter in mm	200
wheel width in mm	40
hub width in mm	59
screw size	M12
tread	thermopl. rubber 65 - 75° shore A grey, ESD
wheel center	polypropylene grey, ESD
bearing	ball bearing
threadguard	small nylon threadguard
temperature range	-20°C to +60°C



HOUSING

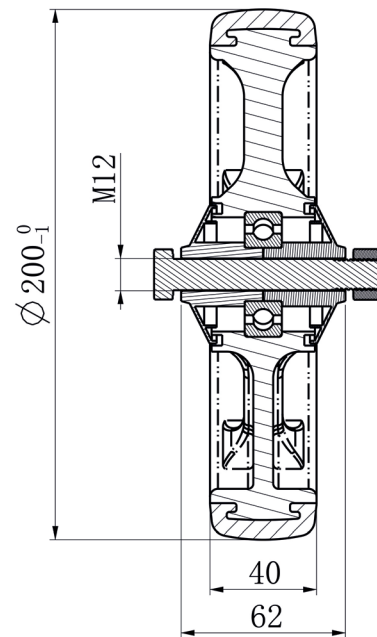
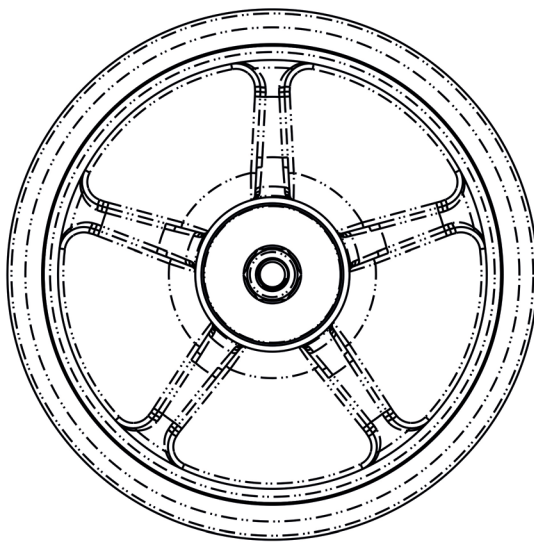
material thickness fitting in mm	
material thickness fork in mm	
fitting	
mounting dimension in mm	
offset dimension in mm	0
total height in mm	
swivel radius in mm	0
dyn. load capacity in kg	175
test norm	DIN EN 12532

**CASCOO Europe GmbH**

Lütke Haar 15 • 59602 Rüthen • Germany
+49 2952 - 970629-0
info@cascoo.eu • www.cascoo.eu

200P2G2B32E

WHEEL Ø 200 MM SERIES P2G2 (ESD) BALL BEARING



CASCOO Europe GmbH

Lütke Haar 15 • 59602 Rüthen • Germany
+49 2952 - 970629-0
info@cascoo.eu • www.cascoo.eu