

# Product Sheet



Item No.

200 S W S 4 R 0 N

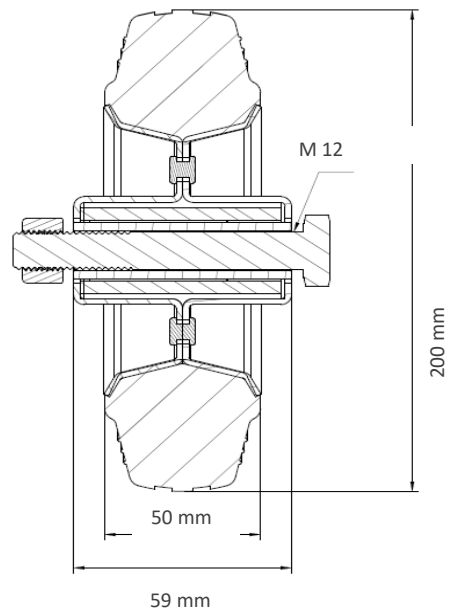
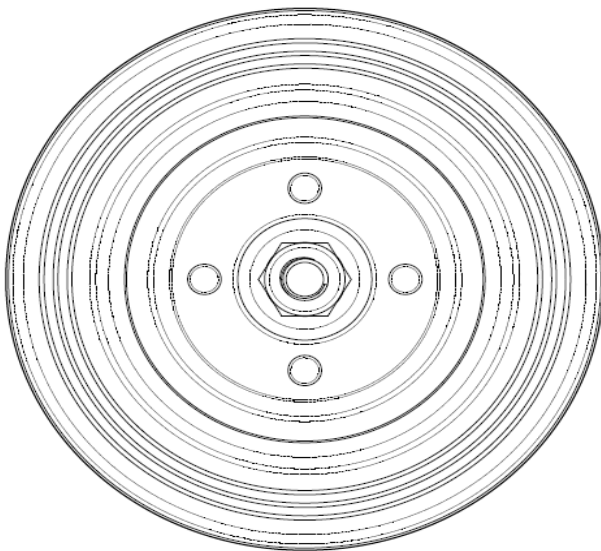
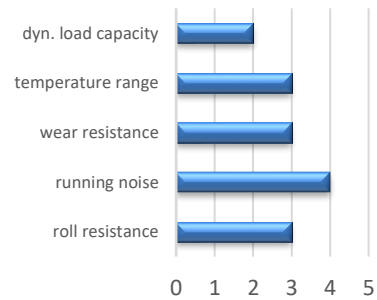
## housing / data

housing type  
series  
fixing type  
hole dimensions / hub width  
thickness of fixing / fork  
surface treatment



## wheel / data

diameter	200 mm
wheel center	Steel Rim white
wheel tread	solid rubber white
bearing	roller bearing
threadguard	no separate threadguard
hub width	59 mm
axle diameter	M 12
temperature range	-20°C - +60°C
dyn. load capacity	205 kg
test norm	DIN EN 12532



Deviation possible! All information is subject to change.