

Product Sheet



Item No. 200 Z 0 Z 0 D 0 N

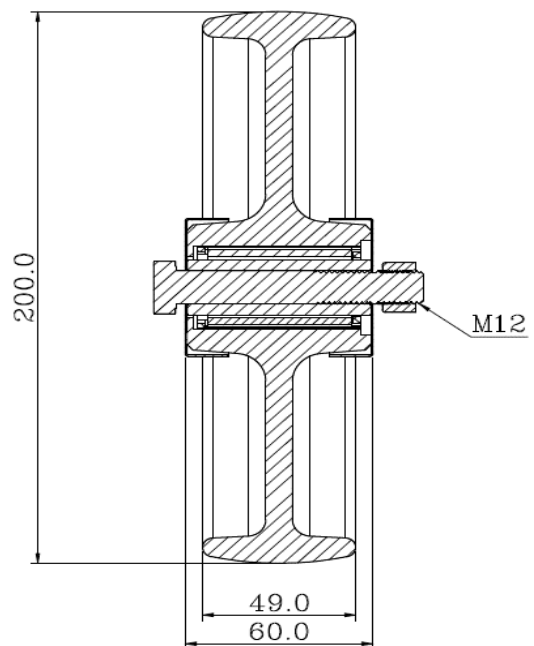
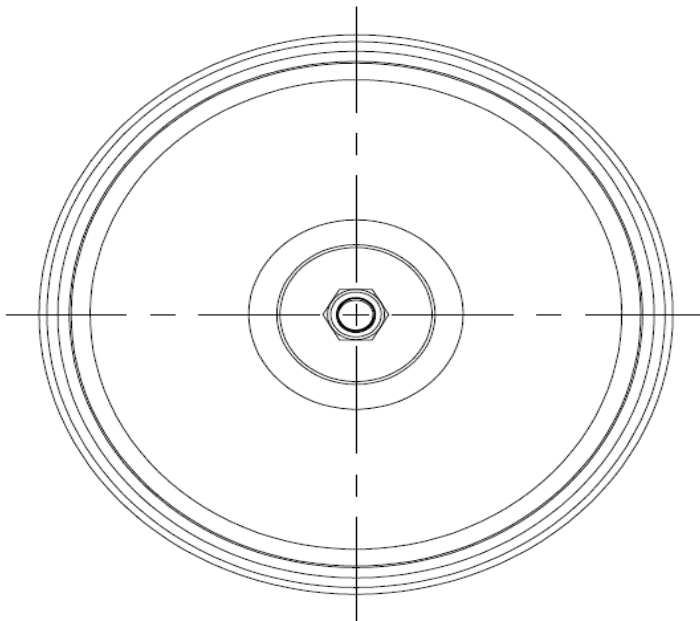
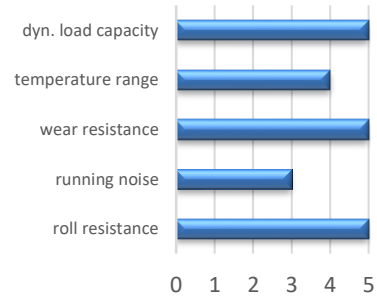
housing / data

housing type
series
fixing type
hole dimensions / hub width
thickness of fixing / fork
surface treatment



wheel / data

diameter 200 mm
wheel center Polyamide (Heavy Duty) white
wheel tread Polyamide (Heavy Duty) white
bearing double ball bearing 6204 ZZ
threadguard no separate threadguard
hub width 60 mm
axle diameter M 12
temperature range -40°C - +80°C
dyn. load capacity 1000 kg
test norm DIN EN 12533



Deviation possible! All information is subject to change.