

Product Sheet



Item No. P B P 3 5 W G 125 X 0 P 0 R 0 N

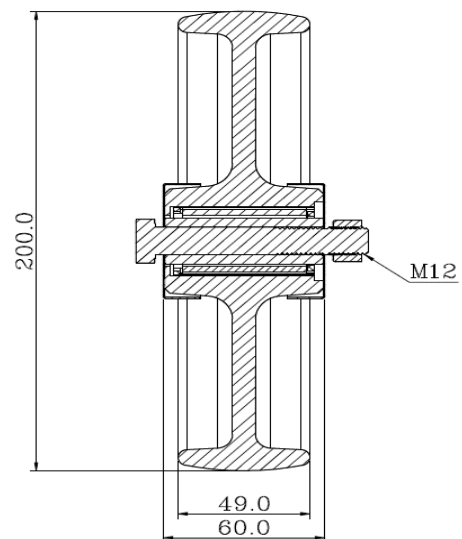
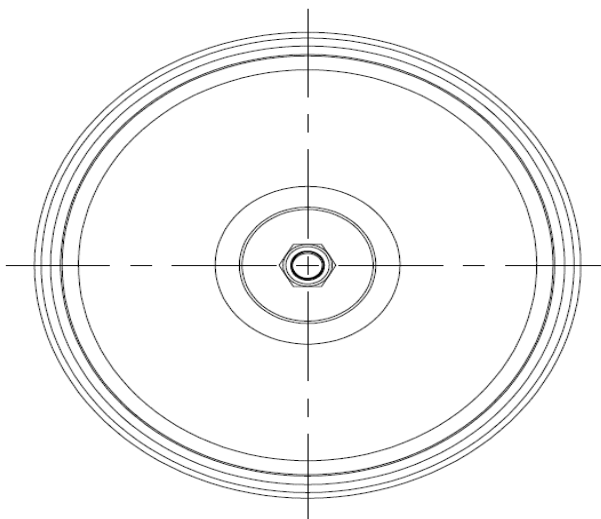
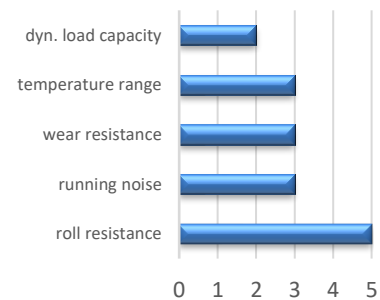
housing / data

housing type	swivel castor with total brake (plastic pedal)
series	CASCOO Basics
fixing type	fixing plate
hole dimensions / hub width	80 x 60 mm / 52 mm
thickness of fixing / fork	2.50 mm / 2.50 mm
surface treatment	galvanized blue zinc



wheel / data

diameter	125 mm
wheel center	Polypropylene black
wheel tread	Polypropylene black
bearing	roller bearing
threadguard	no separate threadguard
hub width	50 mm
axle diameter	M 8
temperature range	-20°C - +60°C
dyn. load capacity	295 kg
test norm	DIN: EN 12532



Deviation possible! All information is subject to change.