

Product Sheet



Item No. B B H 3 5 W C 080 S W S 4 R 0 N

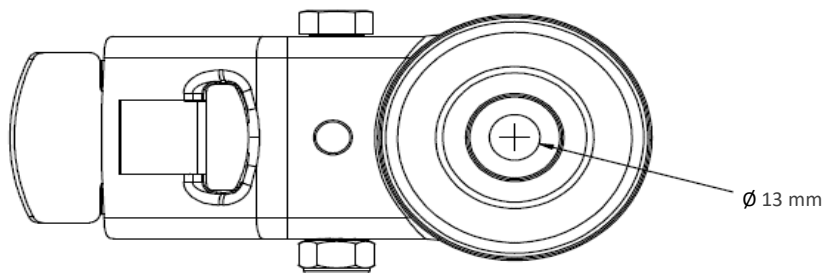
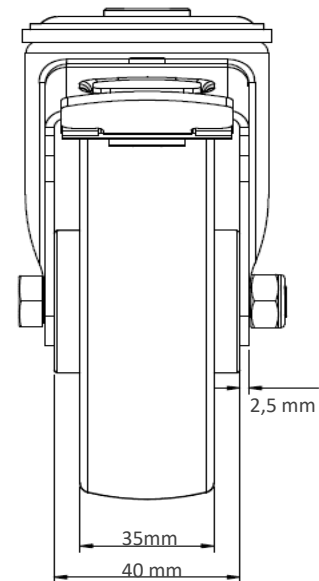
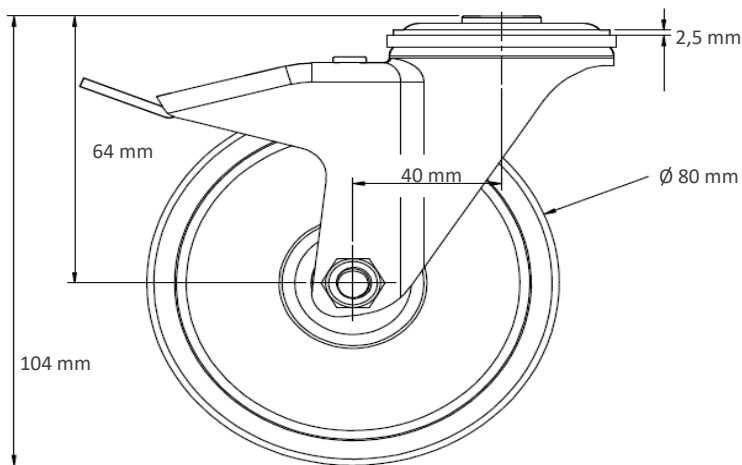
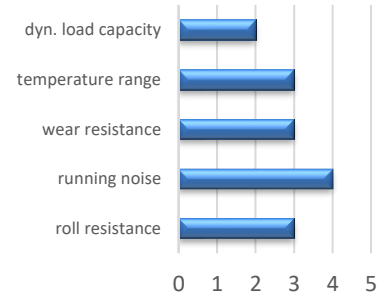
housing / data

housing type bolt hole castor with total brake
 series CASCOO Basics
 fixing type bolt hole
 hole dimensions / hub width 13 mm Diameter / 42 mm
 thickness of fixing / fork 2.50 mm / 2.50 mm
 surface treatment galvanized blue zinc



wheel / data

diameter 80 mm
 wheel center Steel Rim black
 wheel tread solid rubber grey
 bearing roller bearing
 threadguard no separate threadguard
 hub width 40 mm
 axle diameter M 8
 temperature range -20°C - +60°C
 dyn. load capacity 70 kg
 test norm DIN EN 12532



Deviation possible! All information is subject to change.