

Product Sheet



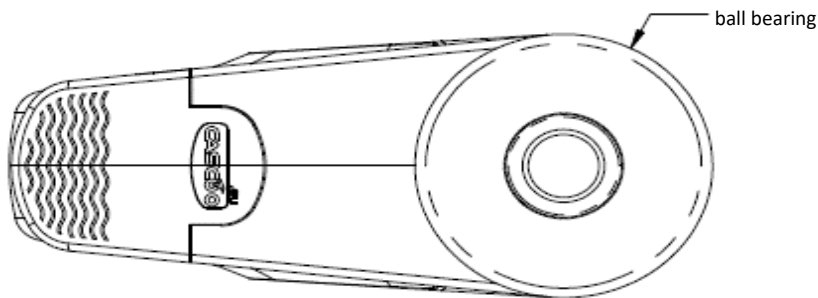
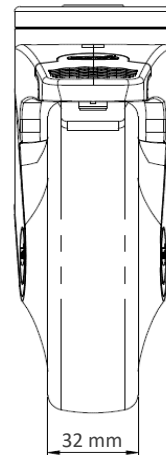
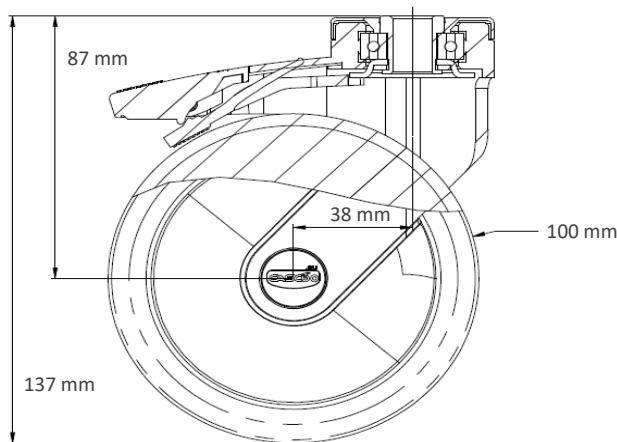
Item No. B C H O S P C 100 P 2 A 2 B 4 2

housing / data

housing type	bolt hole castor with total brake
series	CASCOO Cara
fixing type	bolt hole
hole dimensions / hub width	10 mm / 12 mm diameter
thickness of fixing / fork	-
surface treatment	PA grey with fiberglass particles

wheel / data

diameter	100 mm
wheel center	Polypropylene grey
wheel tread	Thermopl. Rubber grey 85° Shore A
bearing	single ball bearing
threadguard	full covering plastic threadguard
hub width	36 mm
axle diameter	M 10
temperature range	-20°C - +60°C
dyn. load capacity	100 kg



Deviation possible! All information is subject to change.