

Product Sheet



Item No. B D H H H C O 050 P 2 T 2 B 4 2

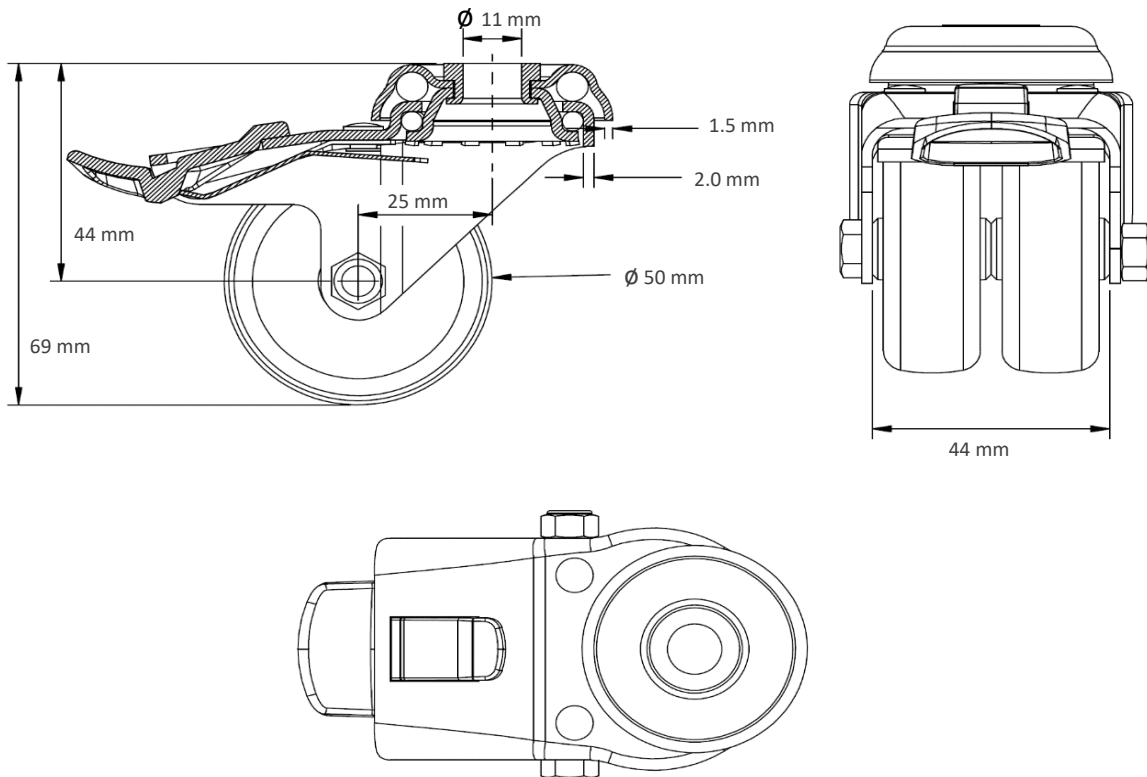
housing / data

| | |
|-----------------------------|-----------------------------------|
| housing type | bolt hole castor with total brake |
| series | apparatus twin wheels |
| fixing type | bolt hole |
| hole dimensions / hub width | 11 mm Diameter / 44 mm |
| thickness of fixing / fork | 1.50 mm / 2.00 mm |
| surface treatment | zinc-chromatised |



wheel / data

| | |
|--------------------|-----------------------------------|
| diameter | 50 mm |
| wheel center | Polypropylene grey |
| wheel tread | thermopl. rubber 95° Shore A grey |
| bearing | single ball bearing |
| threadguard | full covering plastic threadguard |
| hub width | 44 mm |
| axle diameter | M6 |
| temperature range | -20°C - +60°C |
| dyn. load capacity | 70 kg |
| test norm | DIN EN 12530 |



Deviation possible! All information is subject to change.