

Product Sheet



Item No. B D H H H C O 050 P 2 T 2 P 0 N

housing / data

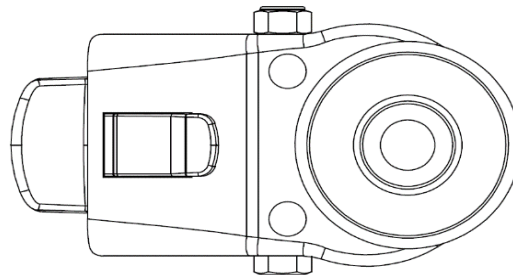
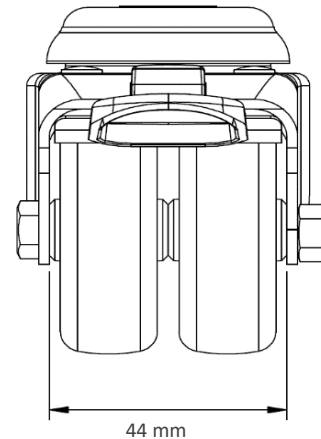
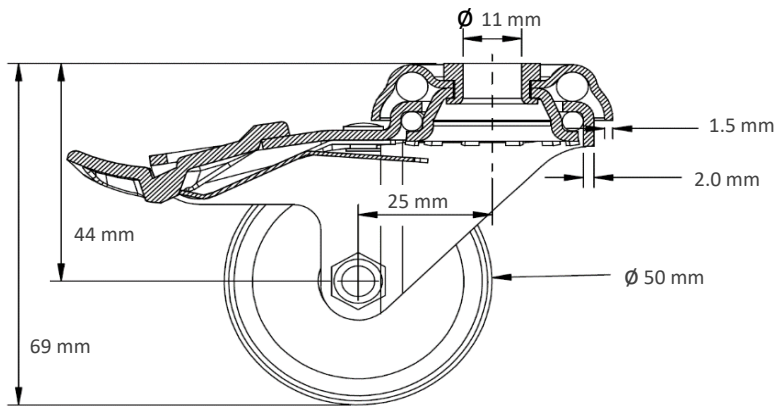
housing type bolt hole castor with total brake
 series apparatus twin wheels
 fixing type bolt hole
 hole dimensions / hub width 11 mm Diameter / 44 mm
 thickness of fixing / fork 1.50 mm / 2.00 mm
 surface treatment zinc-chromatised

wheel / data

diameter 50 mm
 wheel center Polypropylene grey
 wheel tread thermopl. rubber 95° Shore A grey
 bearing plain bearing
 threadguard no separate threadguard
 hub width 44 mm
 axle diameter M6
 temperature range -20°C - +60°C
 dyn. load capacity 70 kg
 test norm DIN EN 12530



Picture shows BDHHC0050P2T2B42 wheel 050P2T2PON:



Deviation possible! All information is subject to change.