

# Product Sheet



Item No. B D H J J C O 075 P 2 T 2 P 0 N

## housing / data

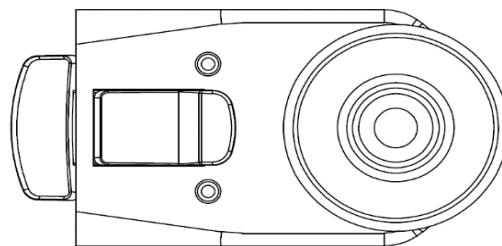
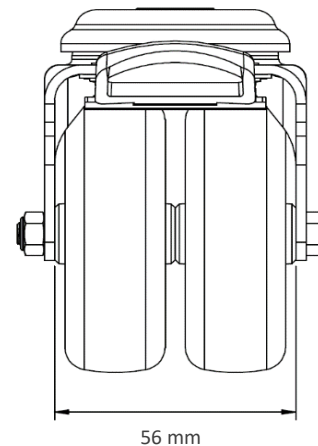
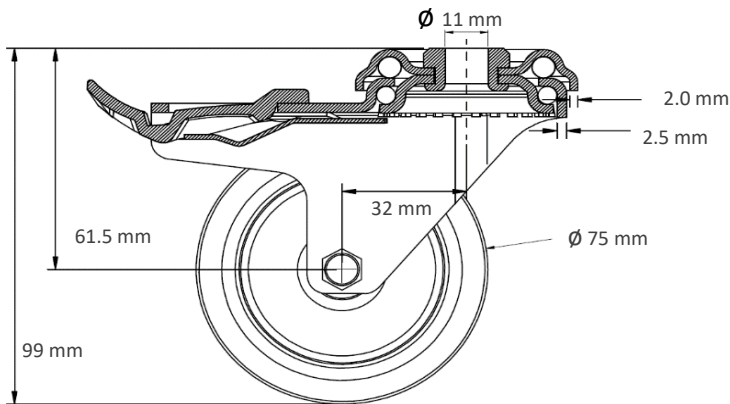
housing type bolt hole castor with total brake  
 series apparatus twin wheels  
 fixing type bolt hole  
 hole dimensions / hub width 11 mm Diameter / 56 mm  
 thickness of fixing / fork 2.00 mm / 2.50 mm  
 surface treatment zinc-chromatised



## wheel / data

diameter 75 mm  
 wheel center Polypropylene grey  
 wheel tread thermopl. rubber 95° Shore A grey  
 bearing plain bearing  
 threadguard no separate threadguard  
 hub width 56 mm  
 axle diameter M8  
 temperature range -20°C - +60°C  
 dyn. load capacity 100 kg  
 test norm DIN EN 12530

Picture shows BDHHHC0050P2T2B42 wheel 050P2T2PON:



Deviation possible! All information is subject to change.