

# Product Sheet



Item No. B P H 9 8 W C 200 S W S 4 R 0 N

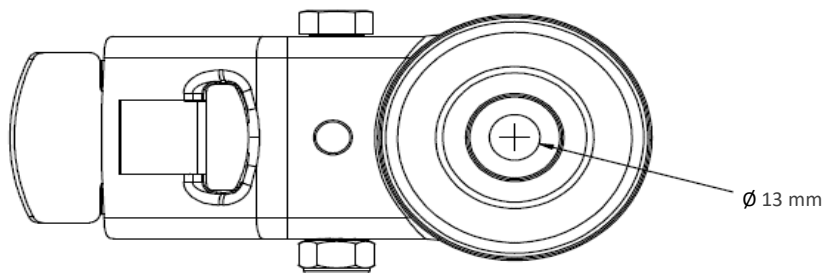
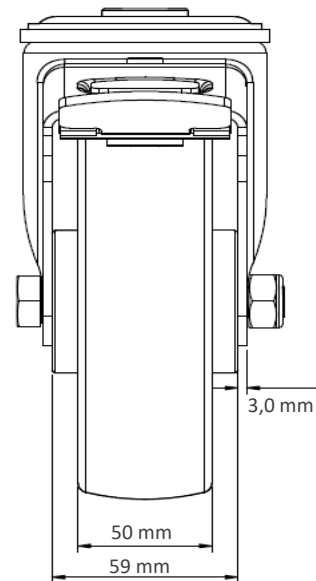
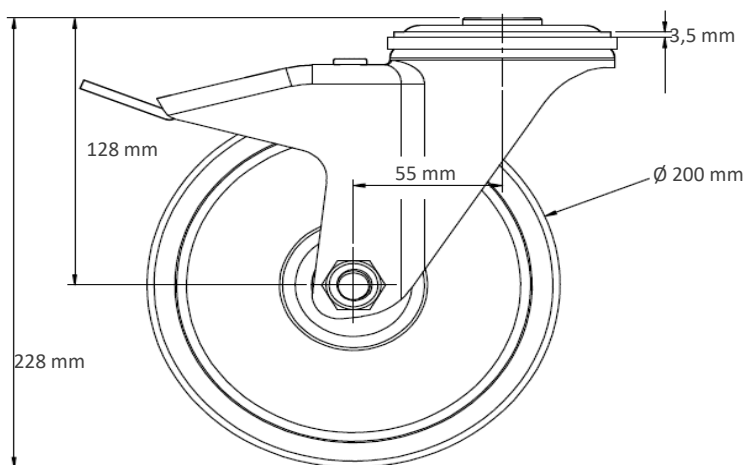
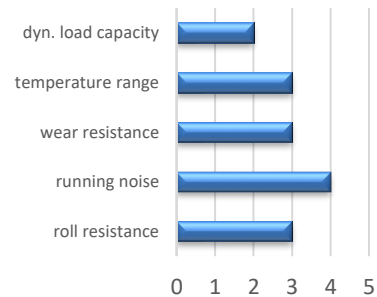
## housing / data

housing type bolt hole castor with total brake  
 series CASCOO Premium  
 fixing type bolt hole  
 hole dimensions / hub width 80 x 60 mm / 52 mm  
 thickness of fixing / fork 3.50 mm / 3.00 mm  
 surface treatment galvanized blue zinc



## wheel / data

diameter 200 mm  
 wheel center Steel Rim black  
 wheel tread solid rubber grey  
 bearing roller bearing  
 threadguard no separate threadguard  
 hub width 59 mm  
 axle diameter M 12  
 temperature range -20°C bis +60°C  
 dyn. load capacity 205 kg  
 test norm DIN EN 12532



Deviation possible! All information is subject to change.