

Product Sheet



Item No. F B P 3 2 W C 125 R 4 F 1 R 0 N

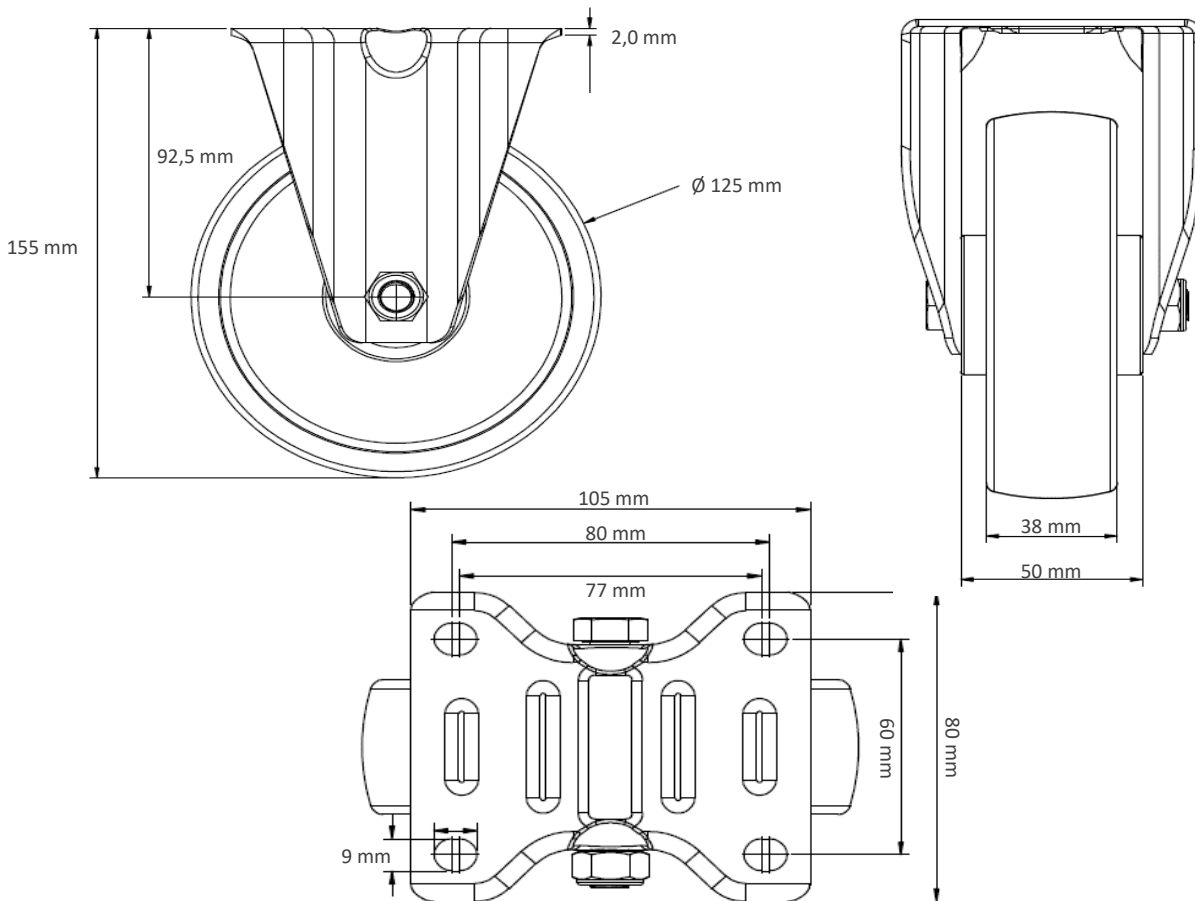
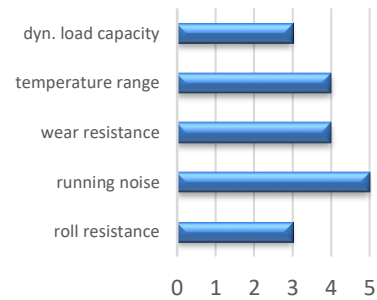
housing / data

housing type fixed castor
 series CASCOO Basics
 fixing type fixing plate
 hole dimensions / hub width 80 x 60 mm / 52 mm
 thickness of fixing / fork 2.00 mm / 2.00 mm
 surface treatment galvanized blue zinc



wheel / data

diameter 125 mm
 wheel center Polyamide black
 wheel tread elastic 70-75° Shore A blue
 bearing roller bearing
 threadguard no separate threadguard
 hub width 50 mm
 axle diameter M 10
 temperature range -20°C - +80°C
 dyn. load capacity 200 kg
 test norm DIN EN 12532



Deviation possible! All information is subject to change.