

# Product Sheet



Item No. F H P 5 4 W C 160 B A X 7 D 0 N

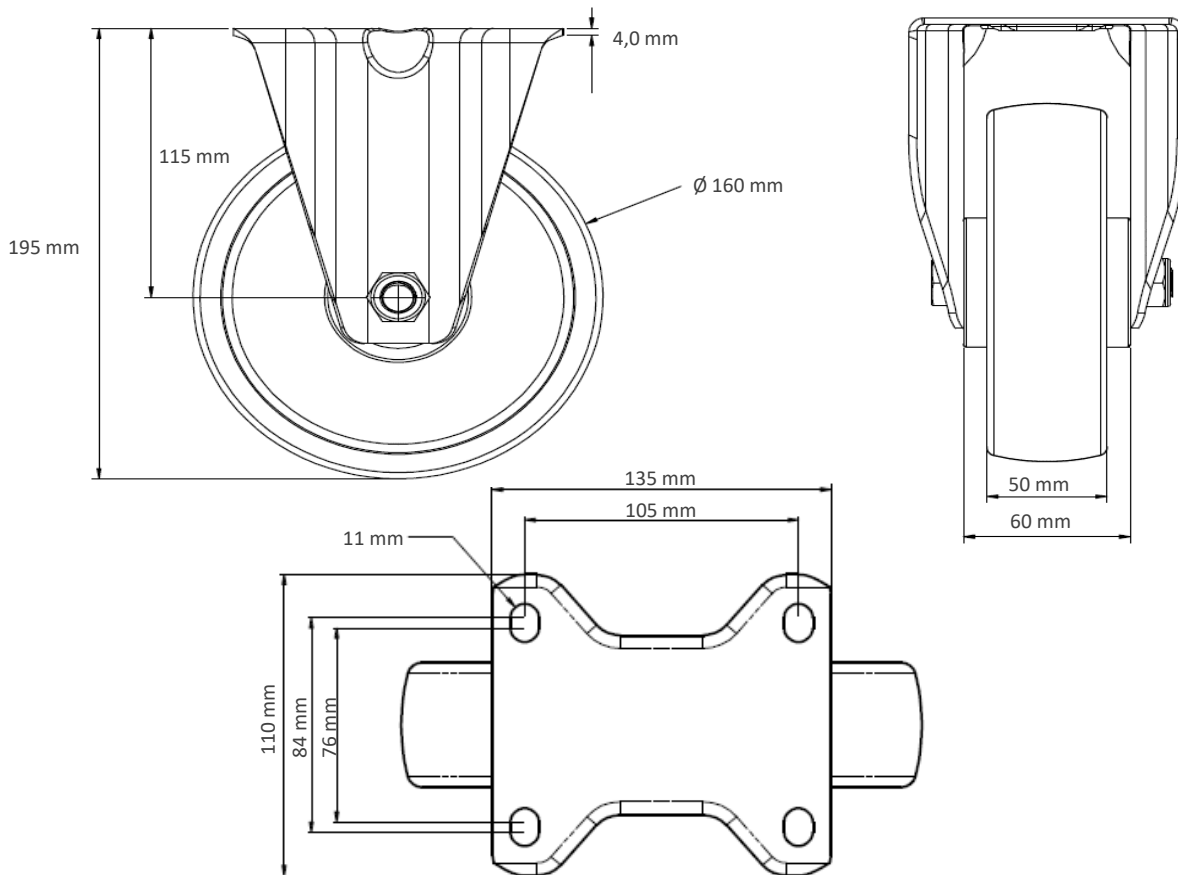
## housing / data

|                             |                      |
|-----------------------------|----------------------|
| housing type                | fixed castor         |
| series                      | heavy duty           |
| fixing type                 | fixing plate         |
| hole dimensions / hub width | 105 x 80 mm / 60 mm  |
| thickness of fixing / fork  | 4.00 mm / 4.00 mm    |
| surface treatment           | galvanized blue zinc |



## wheel / data

|                    |                            |
|--------------------|----------------------------|
| diameter           | 160 mm                     |
| wheel center       | Aluminium (Heavy Duty)     |
| wheel tread        | PUlastic 75° Shore A green |
| bearing            | double ball bearing        |
| threadguard        | no separate threadguard    |
| hub width          | 60 mm                      |
| axle diameter      | M 12                       |
| temperature range  | -20°C - +60°C              |
| dyn. load capacity | 600 kg                     |
| test norm          | DIN: EN 12533              |



Deviation possible! All information is subject to change.