

Product Sheet



Item No. F H P 5 4 W C 200 Z 4 U 5 D 3 4

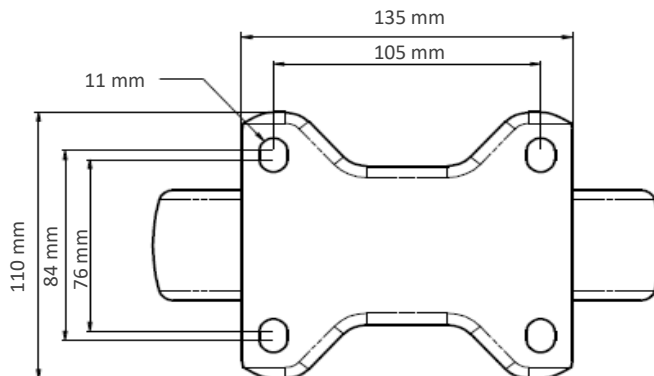
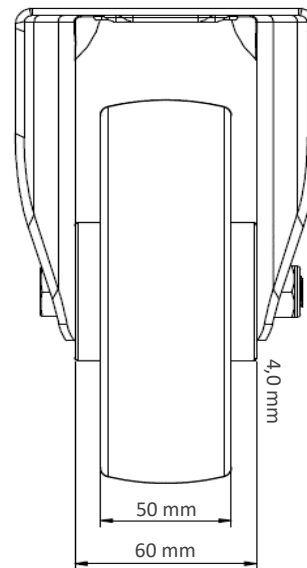
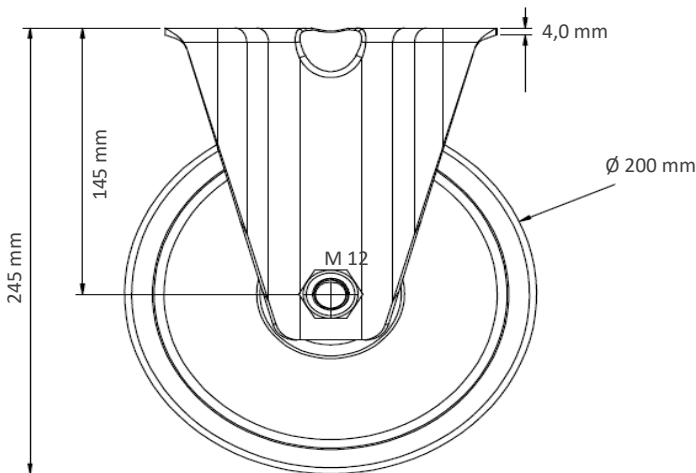
housing / data

| | |
|-----------------------------|----------------------|
| housing type | fixed castor |
| series | heavy duty |
| fixing type | fixing plate |
| hole dimensions / hub width | 105 x 80 mm / 60 mm |
| thickness of fixing / fork | 4.00 mm / 4.00 mm |
| surface treatment | galvanized blue zinc |



wheel / data

| | |
|--------------------|---------------------------|
| diameter | 200 mm |
| wheel center | Polyamide black |
| wheel tread | Polyurethane brown |
| bearing | double ball bearing |
| threadguard | small plastic threadguard |
| hub width | 60 mm |
| axle diameter | M 12 |
| temperature range | -20°C - +60°C |
| dyn. load capacity | 500 kg |
| test norm | DIN EN 12533 |



Deviation possible! All information is subject to change.