

# Product Sheet



Item No. F P P 2 2 W C 100 R 4 E 2 B 3 4

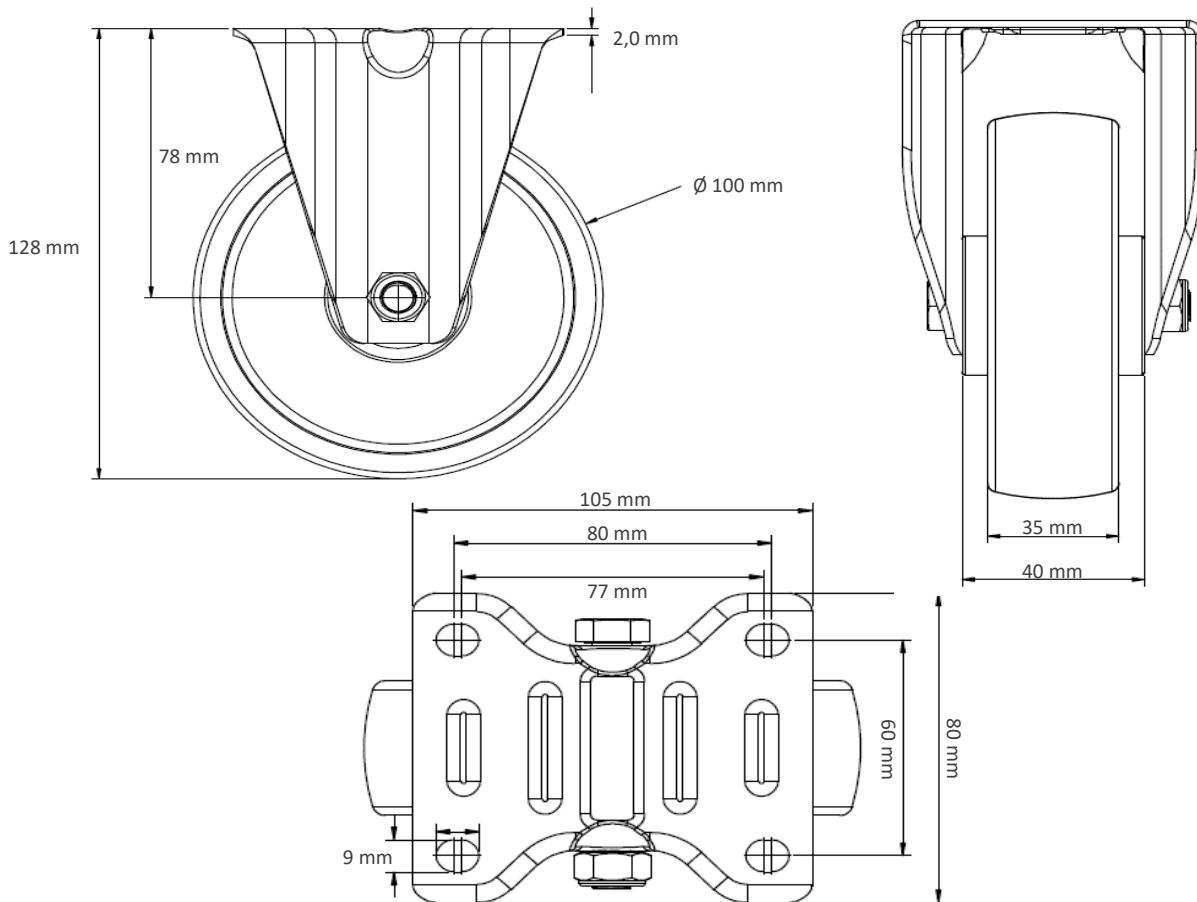
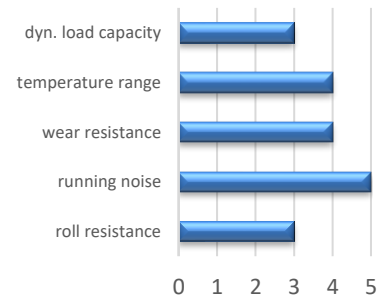
## housing / data

housing type fixed castor  
 series CASCOO Premium  
 fixing type fixing plate  
 hole dimensions / hub width 80 x 60 mm / 42 mm  
 thickness of fixing / fork 2.00 mm / 2.00 mm  
 surface treatment galvanized blue zinc



## wheel / data

diameter 100 mm  
 wheel center Polyamide black  
 wheel tread elastic 65° Shore A grey  
 bearing single ball bearing  
 threadguard small plastic threadguard  
 hub width 40 mm  
 axle diameter M 8  
 temperature range -20°C - +80°C  
 dyn. load capacity 160 kg  
 test norm DIN EN 12532



Deviation possible! All information is subject to change.