

Product Sheet



Item No. F P P 2 5 W C 100 T 6 P 2 R 1 W

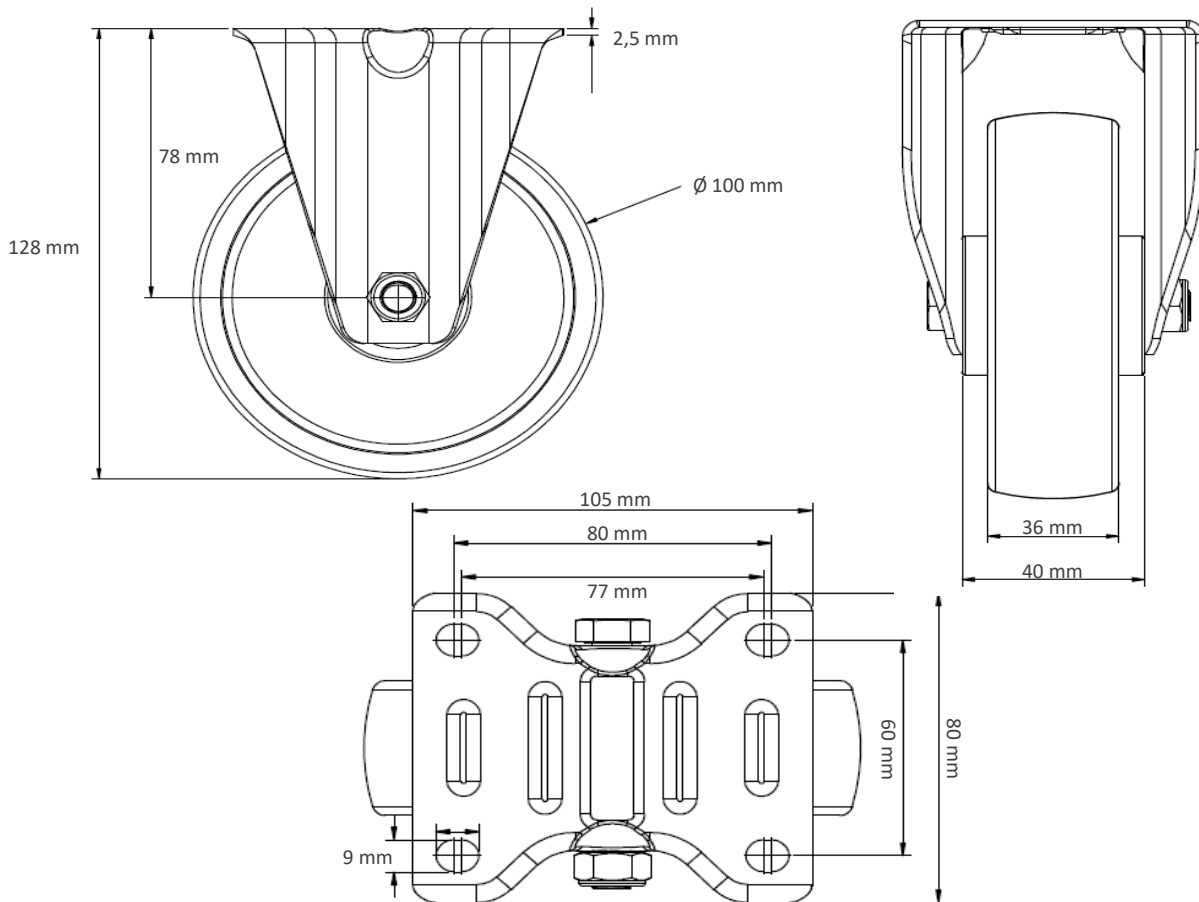
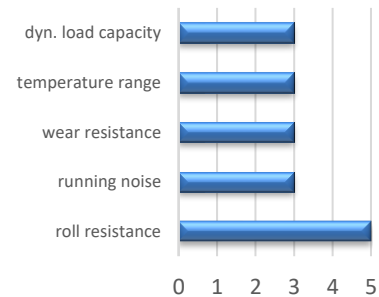
housing / data

housing type fixed castor
 series CASCOO Premium
 fixing type fixing plate
 hole dimensions / hub width 80 x 60 mm / 42 mm
 thickness of fixing / fork 2.50 mm / 2.50 mm
 surface treatment galvanized blue zinc



wheel / data

diameter 100 mm
 wheel center Sandwich Polypropylene red
 wheel tread Polypropylene grey
 bearing roller bearing
 threadguard small metal threadguard
 hub width 40 mm
 axle diameter M 8
 temperature range -20°C - +80°C
 dyn. load capacity 160 kg
 test norm DIN EN 12532



Deviation possible! All information is subject to change.