

# Product Sheet



Item No. F P P 2 3 W C 100 A A X 7 D 3 9

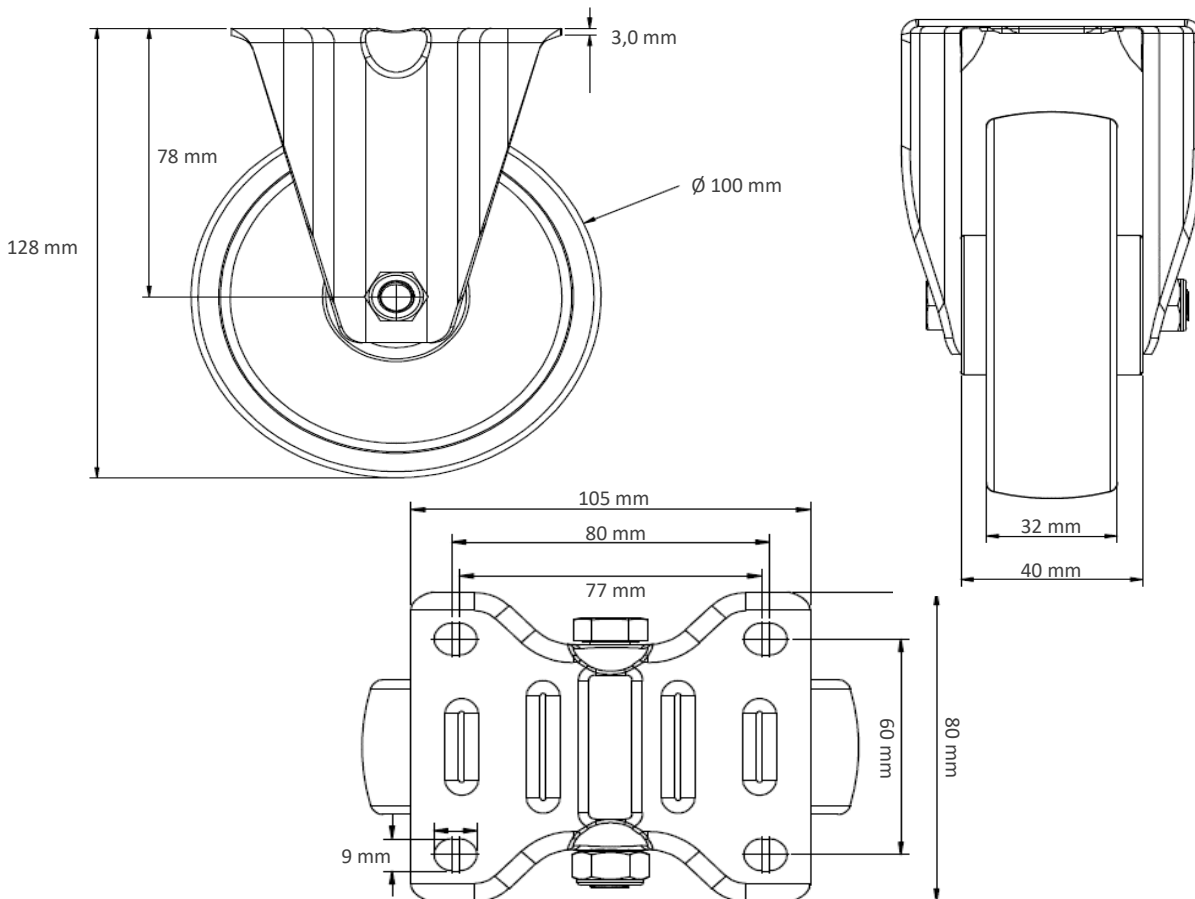
## housing / data

housing type	fixed castor
series	CASCOO Premium
fixing type	fixing plate
hole dimensions / hub width	80 x 60 mm / 42 mm
thickness of fixing / fork	3.00 mm / 3.00 mm
surface treatment	galvanized blue zinc



## wheel / data

diameter	100 mm
wheel center	Aluminium
wheel tread	Pulastic green 75° Shore A
bearing	double ball bearing
threadguard	small plastic threadguard
hub width	40 mm
axle diameter	M 8
temperature range	-20°C - +80°C
dyn. load capacity	250 kg
test norm	DIN: EN 12532



Deviation possible! All information is subject to change.