

Product Sheet



Item No. F P P 5 3 W C 160 R 4 E 1 D 3 4

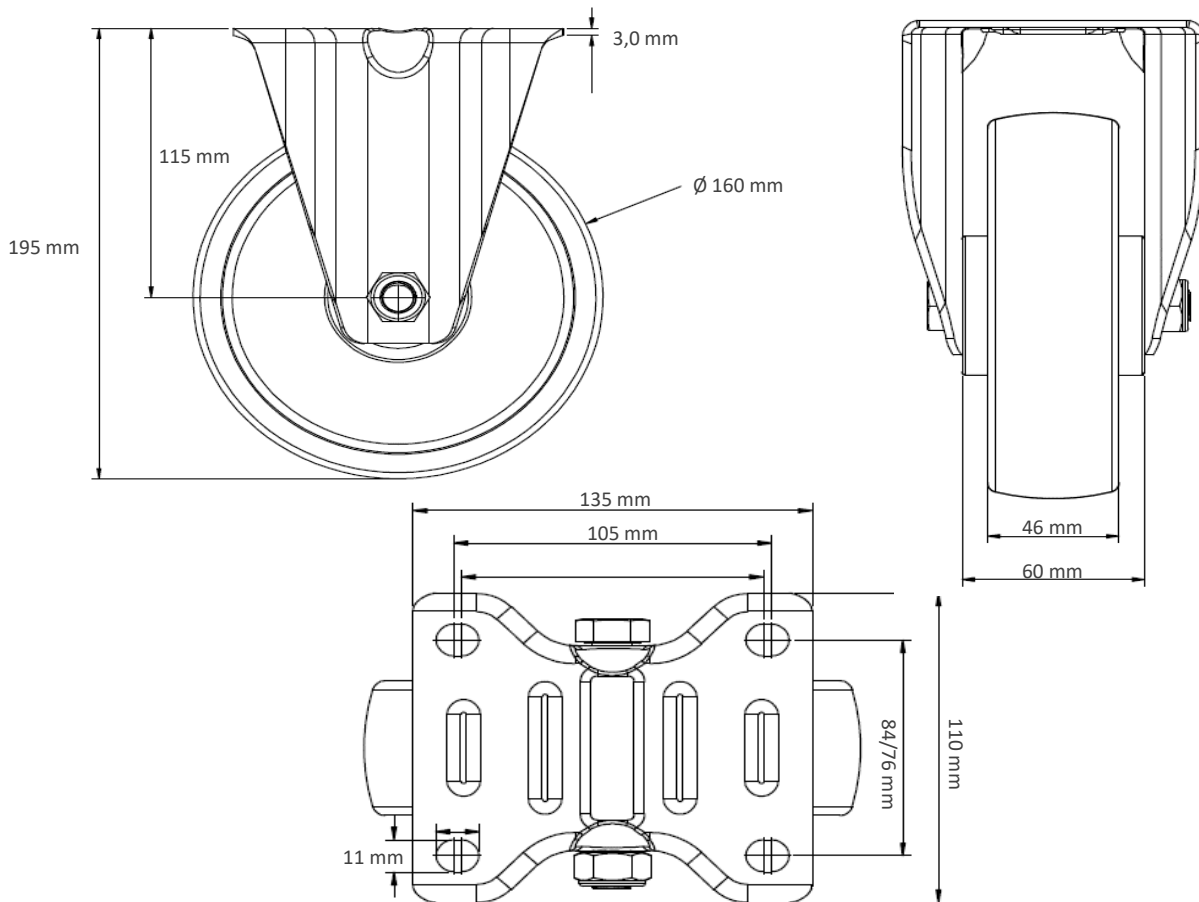
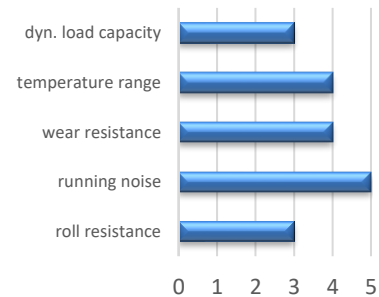
housing / data

housing type	fixed castor
series	CASCOO Premium
fixing type	fixing plate
hole dimensions / hub width	105 x 80 mm / 60 mm
thickness of fixing / fork	3.00 mm / 3.00 mm
surface treatment	galvanized blue zinc



wheel / data

diameter	160 mm
wheel center	Polyamide black
wheel tread	elastic 65° Shore A blue
bearing	double ball bearing
threadguard	small plastic threadguard
hub width	60 mm
axle diameter	M 12
temperature range	-20°C - +80°C
dyn. load capacity	300 kg
test norm	DIN EN 12532



Deviation possible! All information is subject to change.