

# Product Sheet



Item No. F P P 5 5 W C 200 P 2 V 2 R 1 W

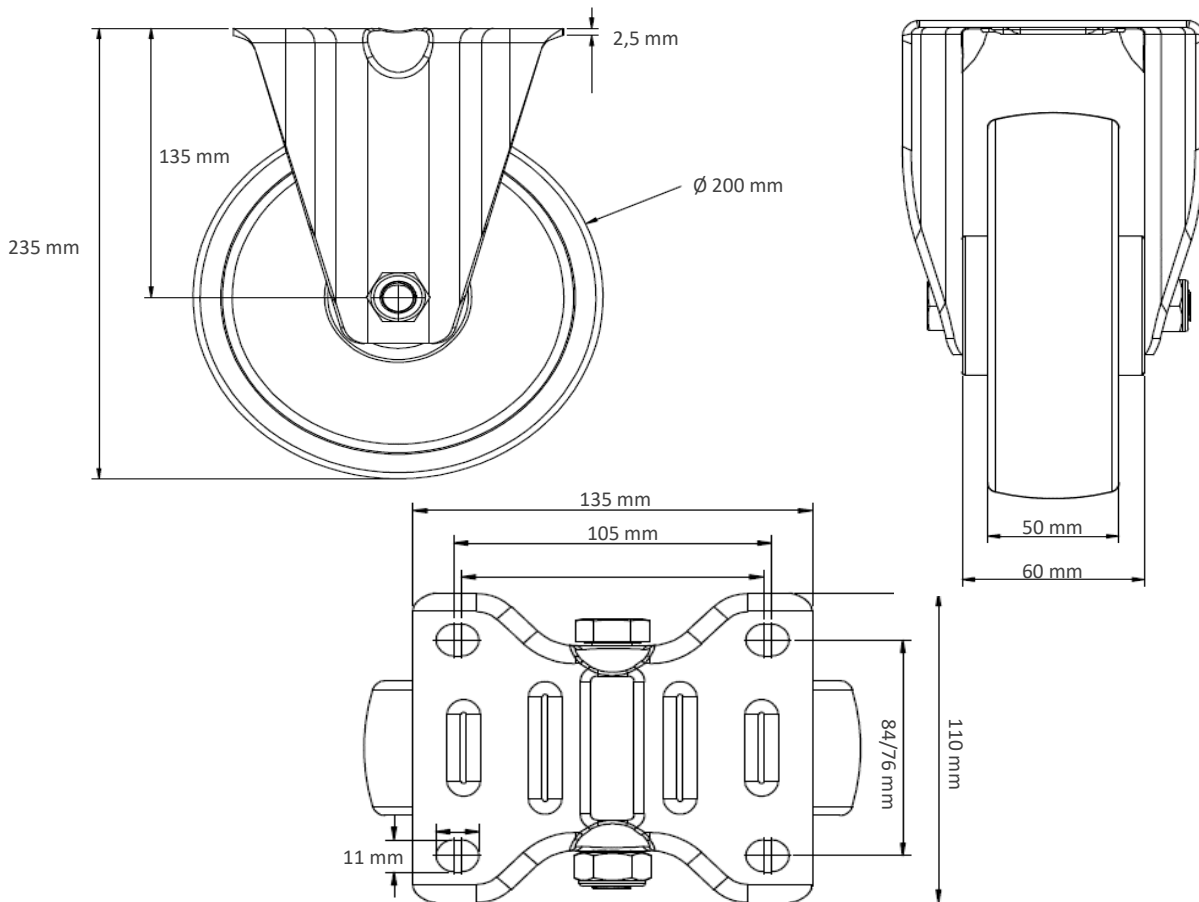
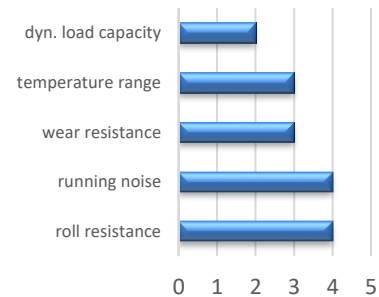
## housing / data

housing type fixed castor  
 series CASCOO Premium  
 fixing type fixing plate  
 hole dimensions / hub width 105 x 80 mm / 60 mm  
 thickness of fixing / fork 2.50 mm / 2.50 mm  
 surface treatment galvanized blue zinc



## wheel / data

diameter 200 mm  
 wheel center Polypropylene grey  
 wheel tread thermopl. rubber 85° Shore A grey  
 bearing roller bearing  
 threadguard small metal threadguard  
 hub width 60 mm  
 axle diameter M 12  
 temperature range -20°C - +60°C  
 dyn. load capacity 200 kg  
 test norm DIN EN 12532



Deviation possible! All information is subject to change.