

# Product Sheet



Item No. H A H 1 9 C C 050 P 4 P 4 P 0 N

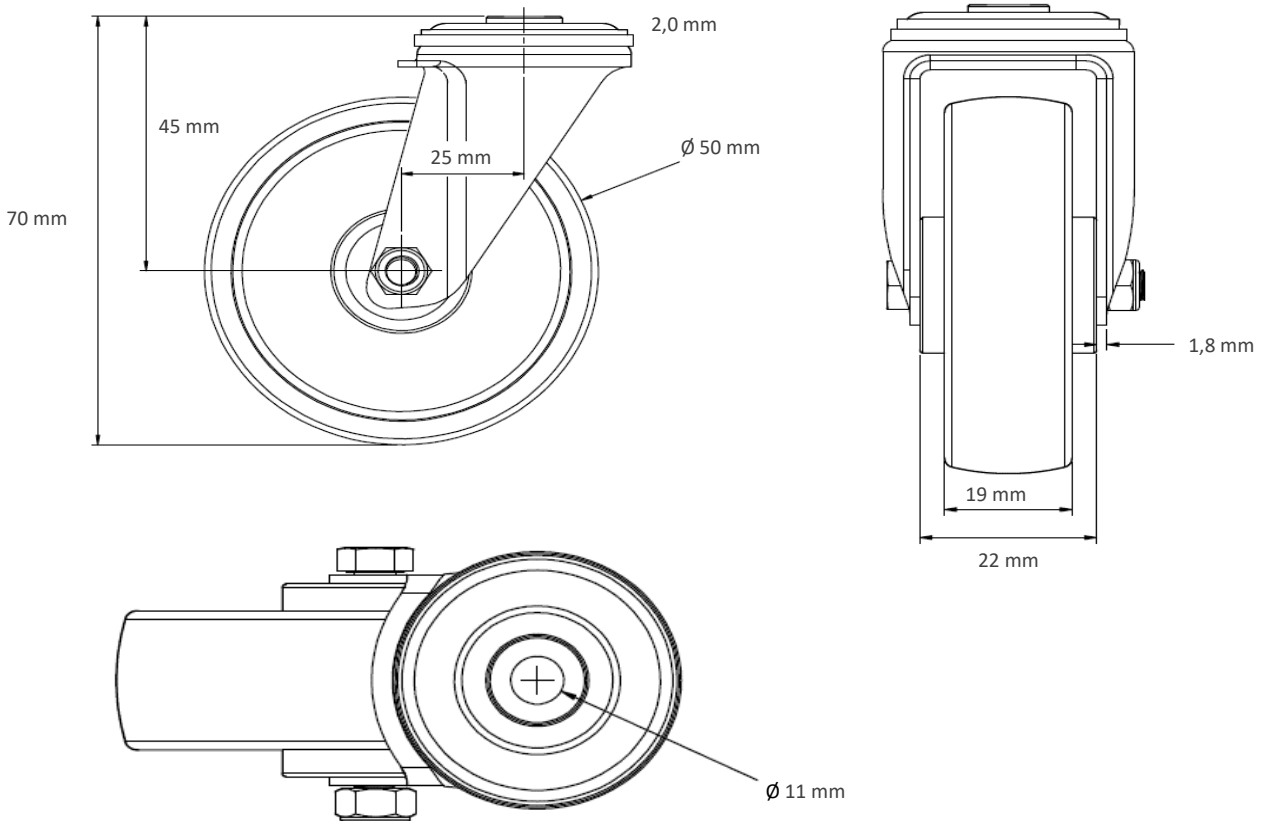
## housing / data

housing type	swivel castor with hole fitting
series	apparatus
fixing type	bolt hole
hole dimensions / hub width	80 x 60 mm / 52 mm
thickness of fixing / fork	2.00 mm / 1.80 mm
surface treatment	zinc-chromatised



## wheel / data

diameter	50 mm
wheel center	Polypropylene black
wheel tread	Polypropylene blue
bearing	plain bearing
threadguard	no separate threadguard
hub width	22 mm
axle diameter	M 6
temperature range	-20°C - +80°C
dyn. load capacity	30 kg
test norm	DIN EN 12530



Deviation possible! All information is subject to change.