

Product Sheet



Item No. H B H 3 5 W C 100 P 0 P 0 P 0 N

housing / data

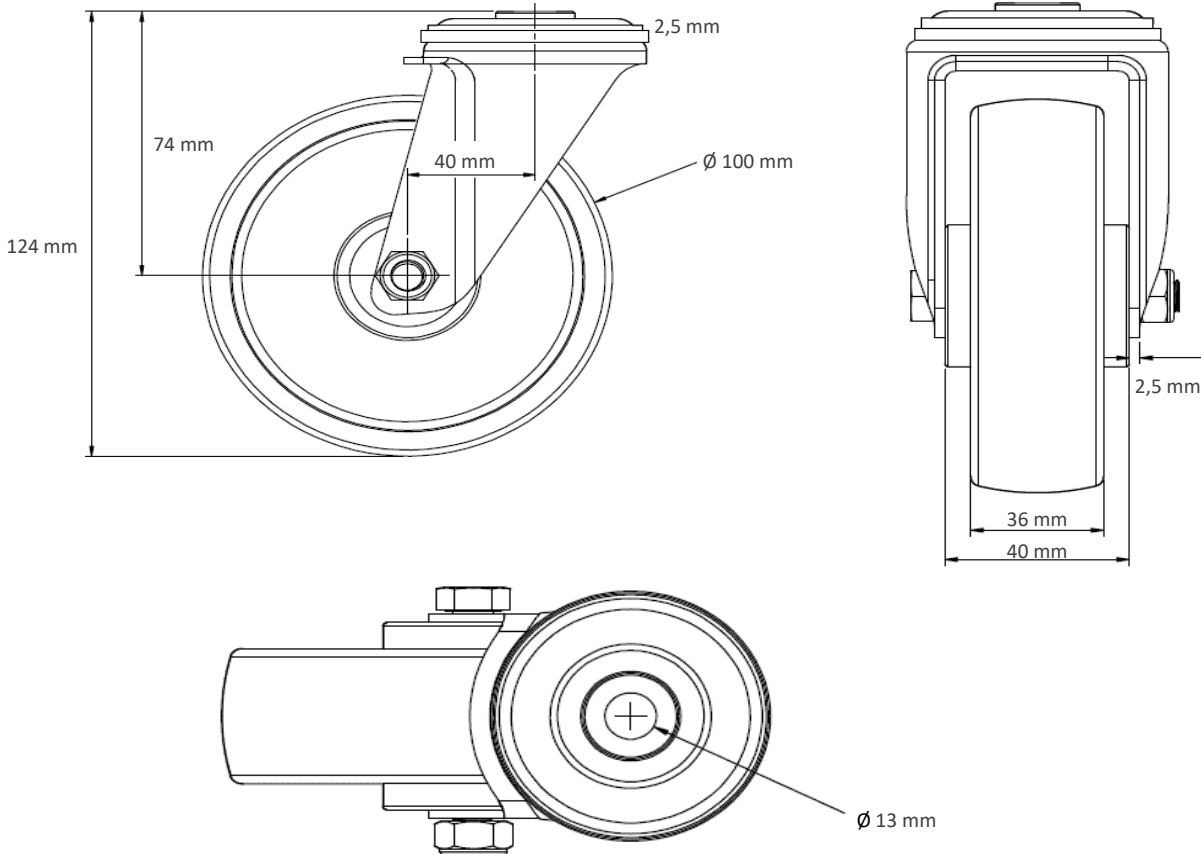
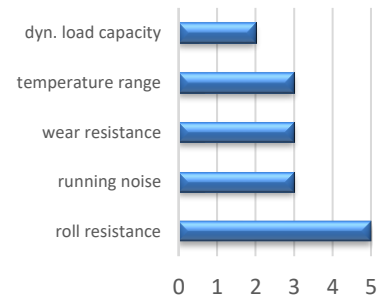
housing type	swivel castor with hole fitting
series	CASCOO Basics
fixing type	bolt hole
hole dimensions / hub width	13 mm Diameter / 42 mm
thickness of fixing / fork	2.50 mm / 2.50 mm
surface treatment	galvanized blue zinc



wheel / data

diameter	100 mm
wheel center	Polypropylene white
wheel tread	Polypropylene white
bearing	plain bearing
threadguard	no separate threadguard
hub width	40 mm
axle diameter	M 8
temperature range	-20°C - +60°C
dyn. load capacity	100 kg
test norm	DIN: EN 12532

Attention! Picture with threadguard



Deviation possible! All information is subject to change.