

# Product Sheet



Item No. H B H 3 6 W C 100 S W R 2 R 0 N

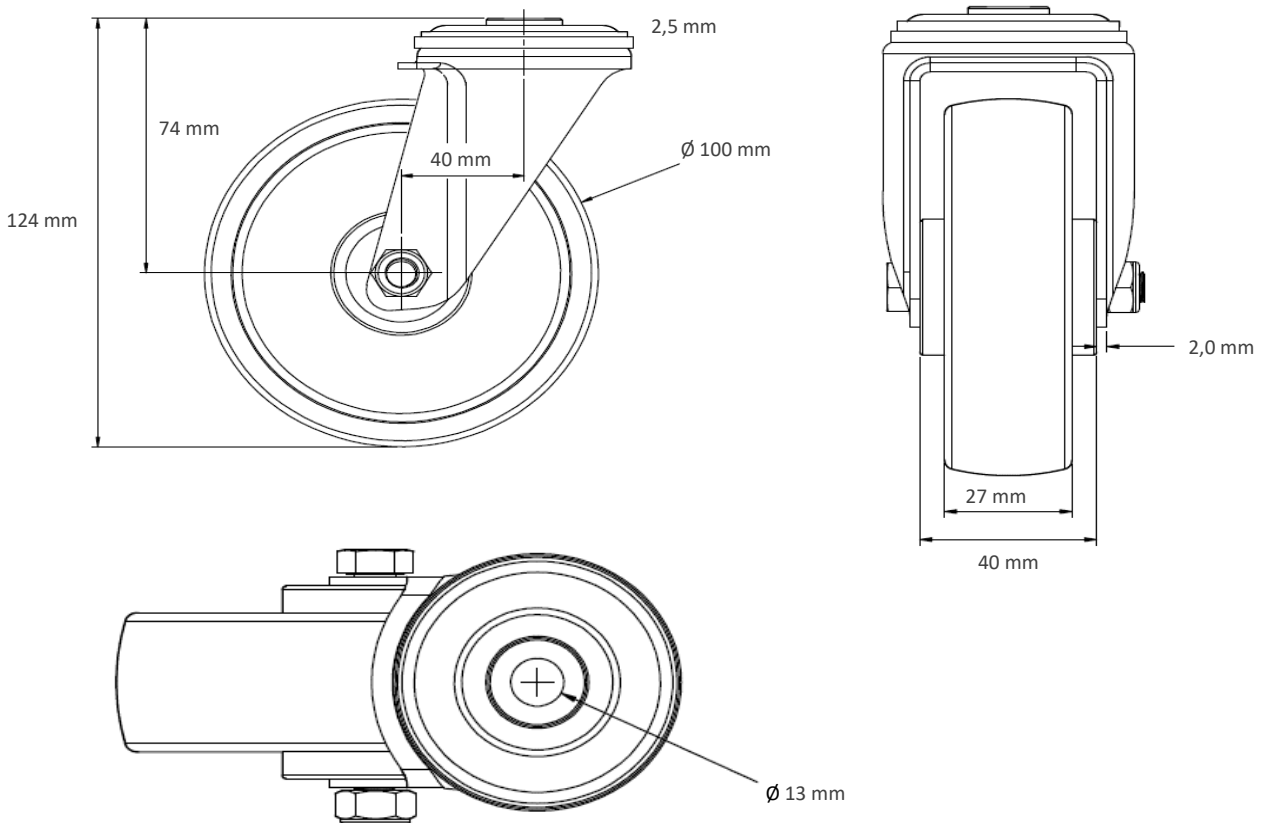
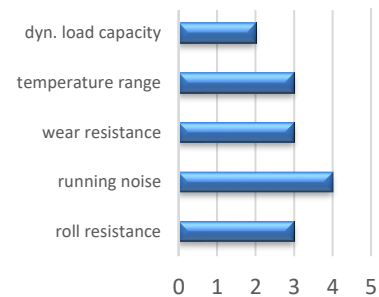
## housing / data

housing type	swivel castor with hole fitting
series	CASCOO Basics
fixing type	bolt hole
hole dimensions / hub width	13 mm Diameter / 42 mm
thickness of fixing / fork	2.50 mm / 2.00 mm
surface treatment	galvanized blue zinc



## wheel / data

diameter	100 mm
wheel center	Steel Rim
wheel tread	solid rubber grey
bearing	roller bearing
threadguard	no separate threadguard
hub width	40 mm
axle diameter	M 8
temperature range	-20°C - +60°C
dyn. load capacity	75 kg
test norm	DIN EN 12532



Deviation possible! All information is subject to change.