

Product Sheet



Item No. H B H 8 5 W C 125 P 4 R 2 R 0 N

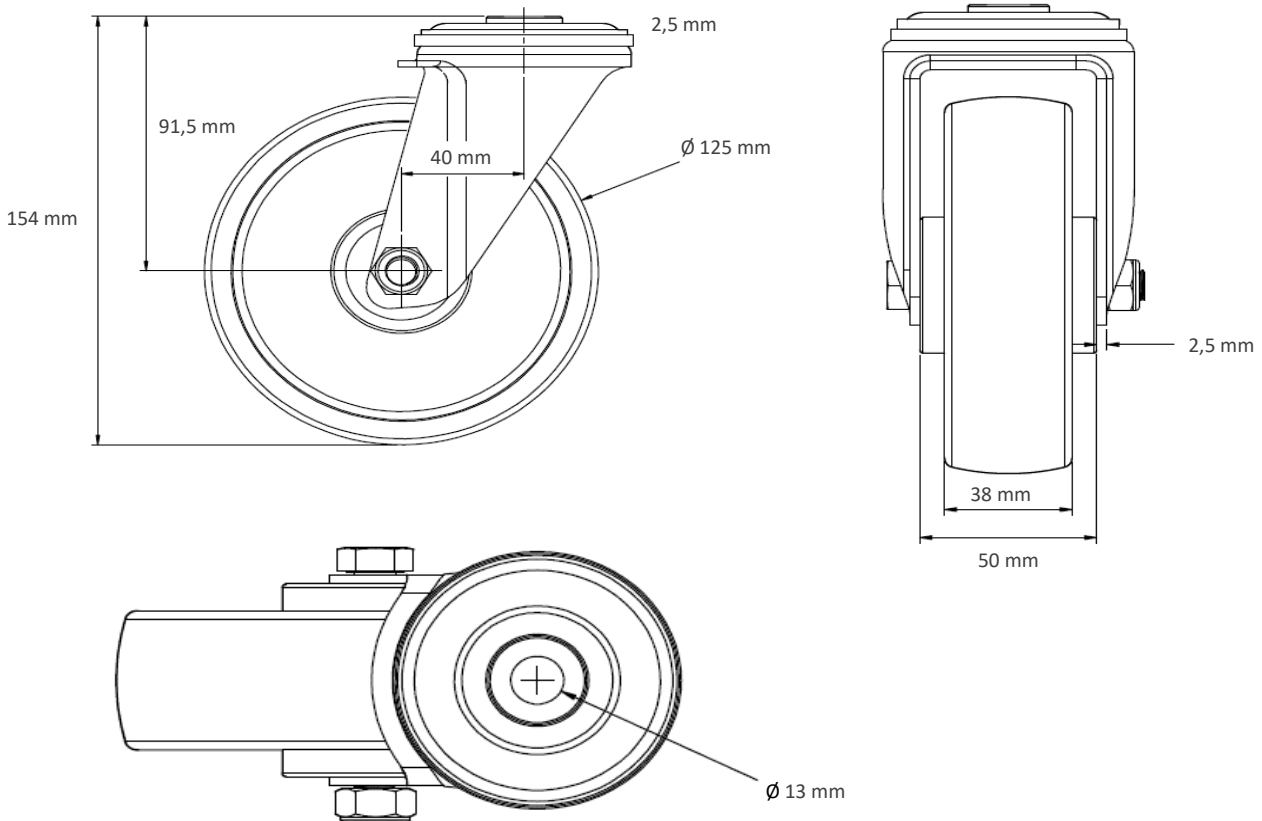
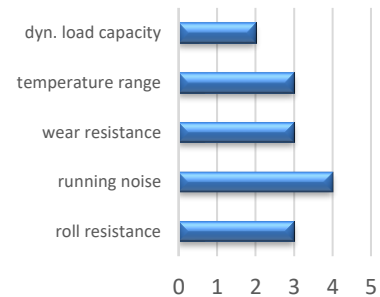
housing / data

| | |
|-----------------------------|---------------------------------|
| housing type | swivel castor with hole fitting |
| series | CASCOO Basics |
| fixing type | bolt hole |
| hole dimensions / hub width | 13 mm Diameter / 52 mm |
| thickness of fixing / fork | 2.50 mm / 2.50 mm |
| surface treatment | galvanized blue zinc |



wheel / data

| | |
|--------------------|-------------------------|
| diameter | 125 mm |
| wheel center | Polypropylene black |
| wheel tread | solid rubber grey |
| bearing | roller bearing |
| threadguard | no separate threadguard |
| hub width | 50 mm |
| axle diameter | M 10 |
| temperature range | -20°C - +60°C |
| dyn. load capacity | 100 kg |
| test norm | DIN EN 12532 |



Deviation possible! All information is subject to change.