

Product Sheet



Item No. H B H 8 5 W C 125 R 4 F 1 R 0 N

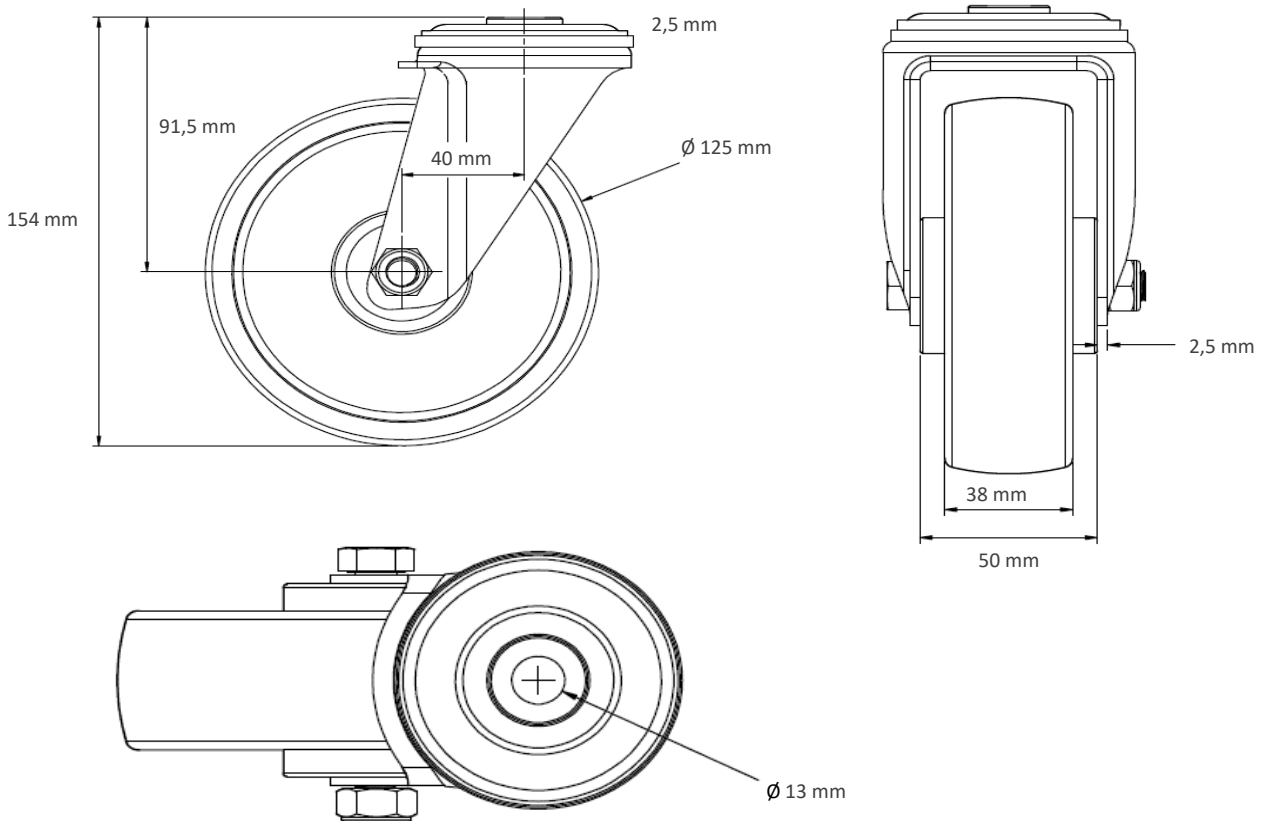
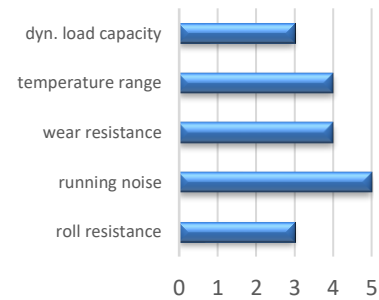
housing / data

housing type	swivel castor with hole fitting
series	CASCOO Basics
fixing type	bolt hole
hole dimensions / hub width	13 mm Diameter / 52 mm
thickness of fixing / fork	2.50 mm / 2.50 mm
surface treatment	galvanized blue zinc



wheel / data

diameter	125 mm
wheel center	Polyamide black
wheel tread	elastic 70-75° Shore A blue
bearing	roller bearing
threadguard	no separate threadguard
hub width	50 mm
axle diameter	M 10
temperature range	-20°C - +80°C
dyn. load capacity	150 kg
test norm	DIN EN 12532



Deviation possible! All information is subject to change.