

Product Sheet



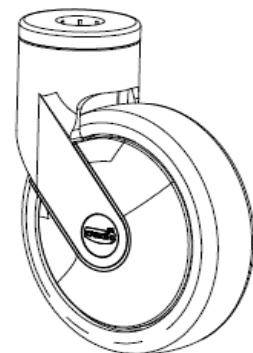
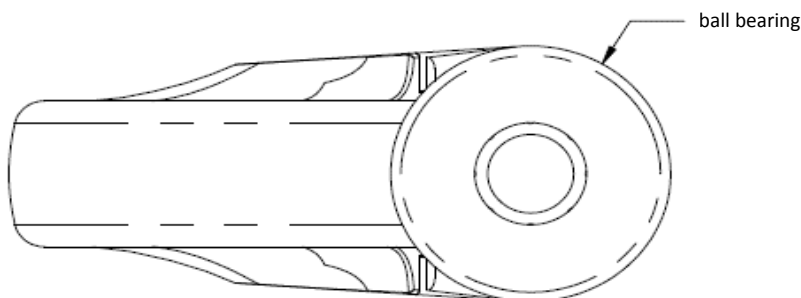
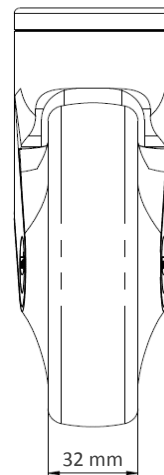
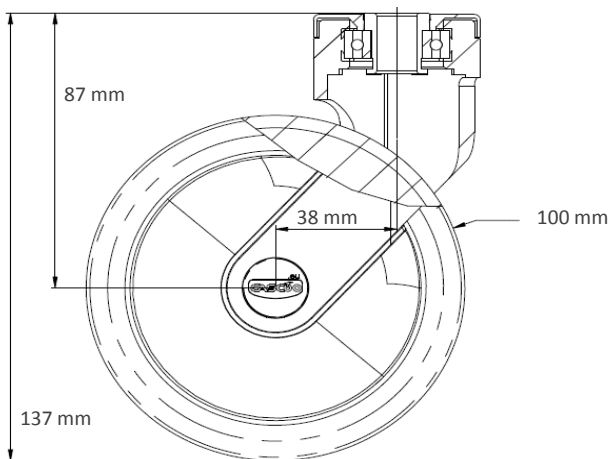
Item No. H C H O S P C 100 P 2 Q 2 B 4 2

housing / data

housing type swivel castor with hole fitting
 series CASCOO Cara
 fixing type bolt hole
 hole dimensions / hub width 10 mm / 12 mm diameter
 thickness of fixing / fork -
 surface treatment PA grey with fiberglass particles

wheel / data

diameter 100 mm
 wheel center Polypropylene grey
 wheel tread TPR blue/grey 65°/85° Shore A
 bearing single ball bearing
 threadguard full covering plastic threadguard
 hub width 36 mm
 axle diameter M 10 / screw 8 mm
 temperature range -20°C - +60°C
 dyn. load capacity 100 kg



Deviation possible! All information is subject to change.