

# Product Sheet



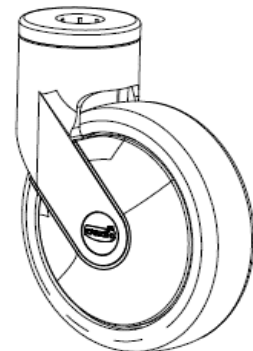
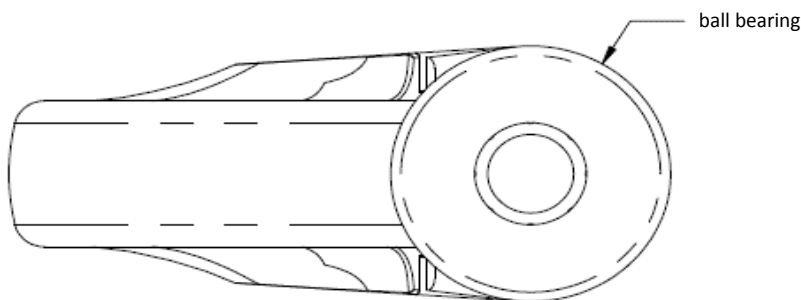
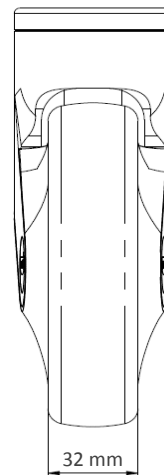
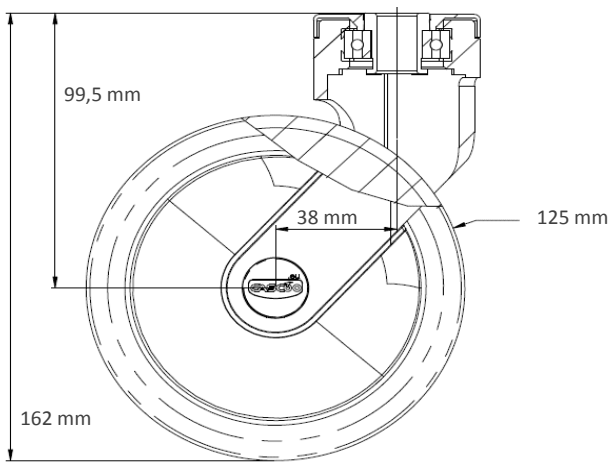
Item No. H C H O S P C 125 P 2 Q 2 B 4 2

## housing / data

housing type swivel castor with hole fitting  
 series CASCOO Cara  
 fixing type bolt hole  
 hole dimensions / hub width 10 mm / 12 mm diameter  
 thickness of fixing / fork -  
 surface treatment PA grey with fiberglass particles

## wheel / data

diameter 125 mm  
 wheel center Polypropylene grey  
 wheel tread TPR blue/grey 65°/85° Shore A  
 bearing single ball bearing  
 threadguard full covering plastic threadguard  
 hub width 36 mm  
 axle diameter M 8  
 temperature range -20°C - +60°C  
 dyn. load capacity 110 kg



Deviation possible! All information is subject to change.