

# Product Sheet



Item No. H D H J J C C 075 P 2 T 2 B 4 2

## housing / data

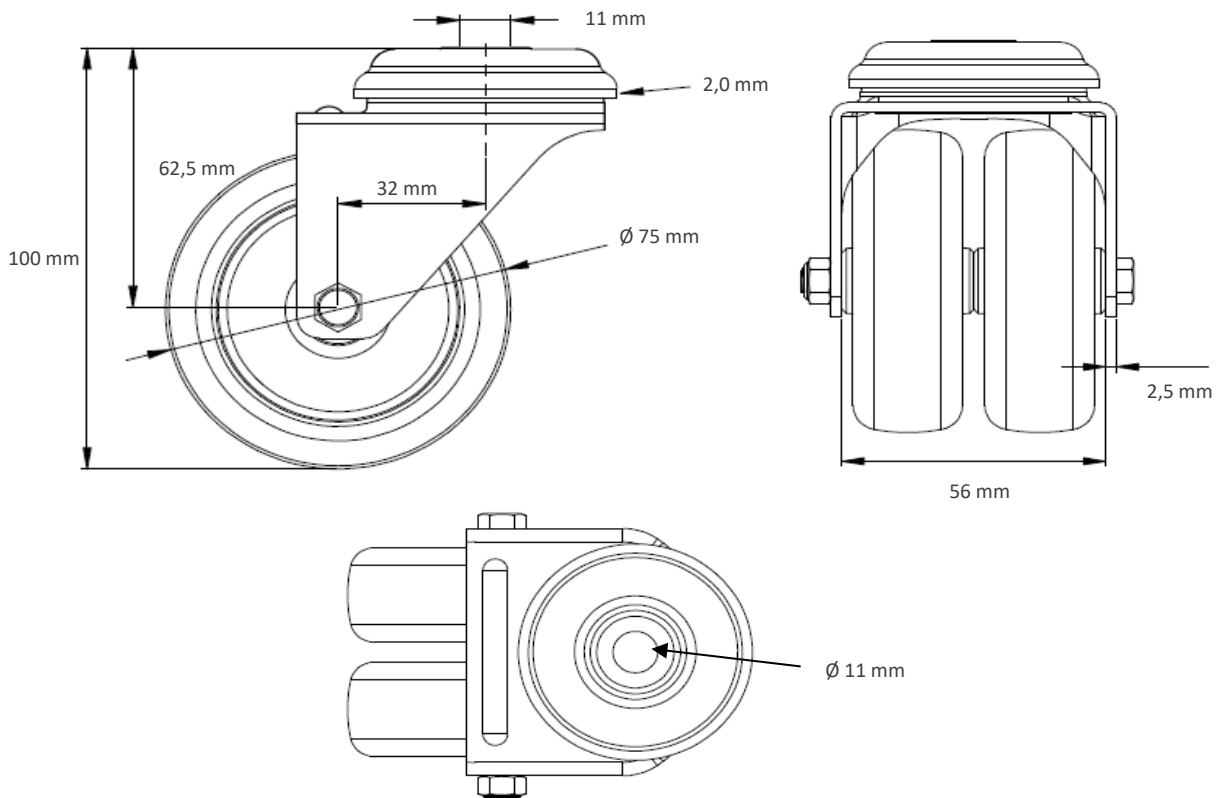
housing type	swivel castor with hole fitting
series	apparatus twin wheels
fixing type	bolt hole
hole dimensions / hub width	11 mm Diameter / 56 mm
thickness of fixing / fork	2.00 mm / 2.50 mm
surface treatment	zinc-chromatised



## wheel / data

diameter	75 mm
wheel center	Polypropylene grey
wheel tread	thermopl. rubber 95° Shore A grey
bearing	single ball bearing
threadguard	full covering plastic threadguard
hub width	56 mm
axle diameter	M6
temperature range	-20°C - +60°C
dyn. load capacity	100 kg
test norm	DIN EN 12530

Wheel as 075P2T2B42:



Deviation possible! All information is subject to change.