

Product Sheet



Item No. H E H E 5 W 0 100 P 2 A 2 P 0 N

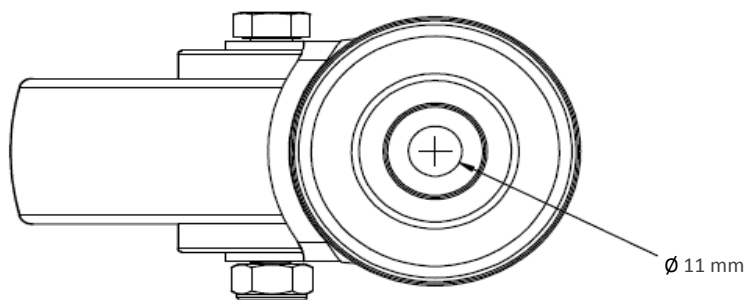
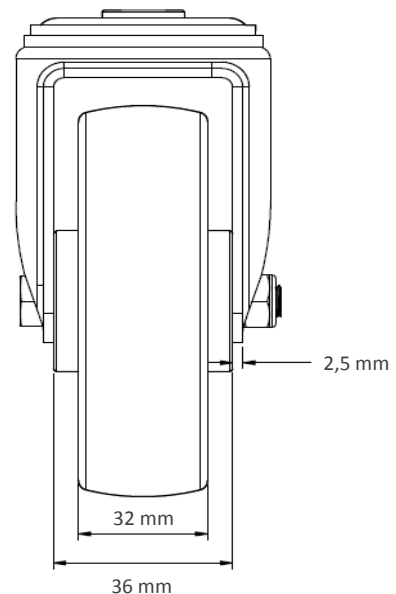
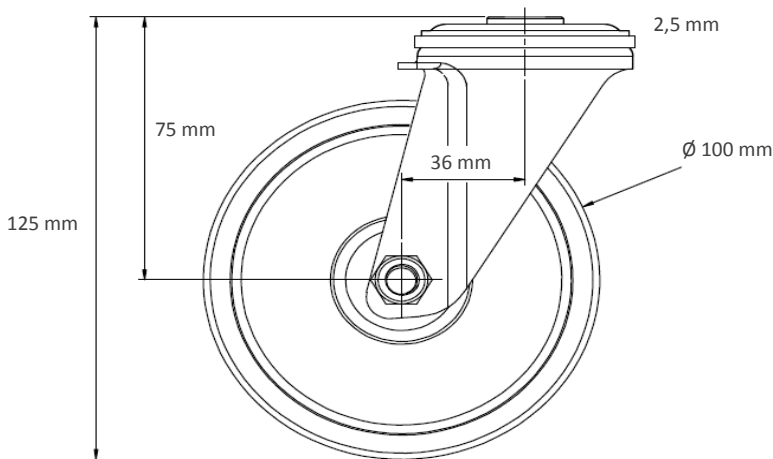
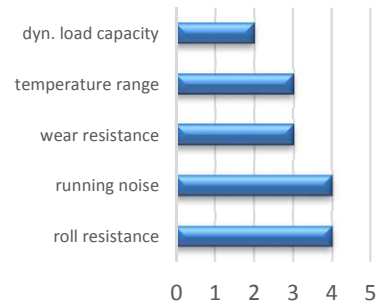
housing / data

housing type	swivel castor with hole fitting
series	shopping trolleys
fixing type	bolt hole wit
hole dimensions / hub width	11 mm / strengthened
thickness of fixing / fork	2.50 mm / 2.50 mm
surface treatment	galvanized blue zinc



wheel / data

diameter	100 mm
wheel center	Polypropylene grey
wheel tread	thermopl. rubber grey
bearing	plain bearing
threadguard	no separate threadguard
hub width	36 mm
axle diameter	M 8
temperature range	-20°C - +60°C
dyn. load capacity	100 kg



Deviation possible! All information is subject to change.