

# Product Sheet



Item No. H E H E 5 W C 100 G O P O P O N

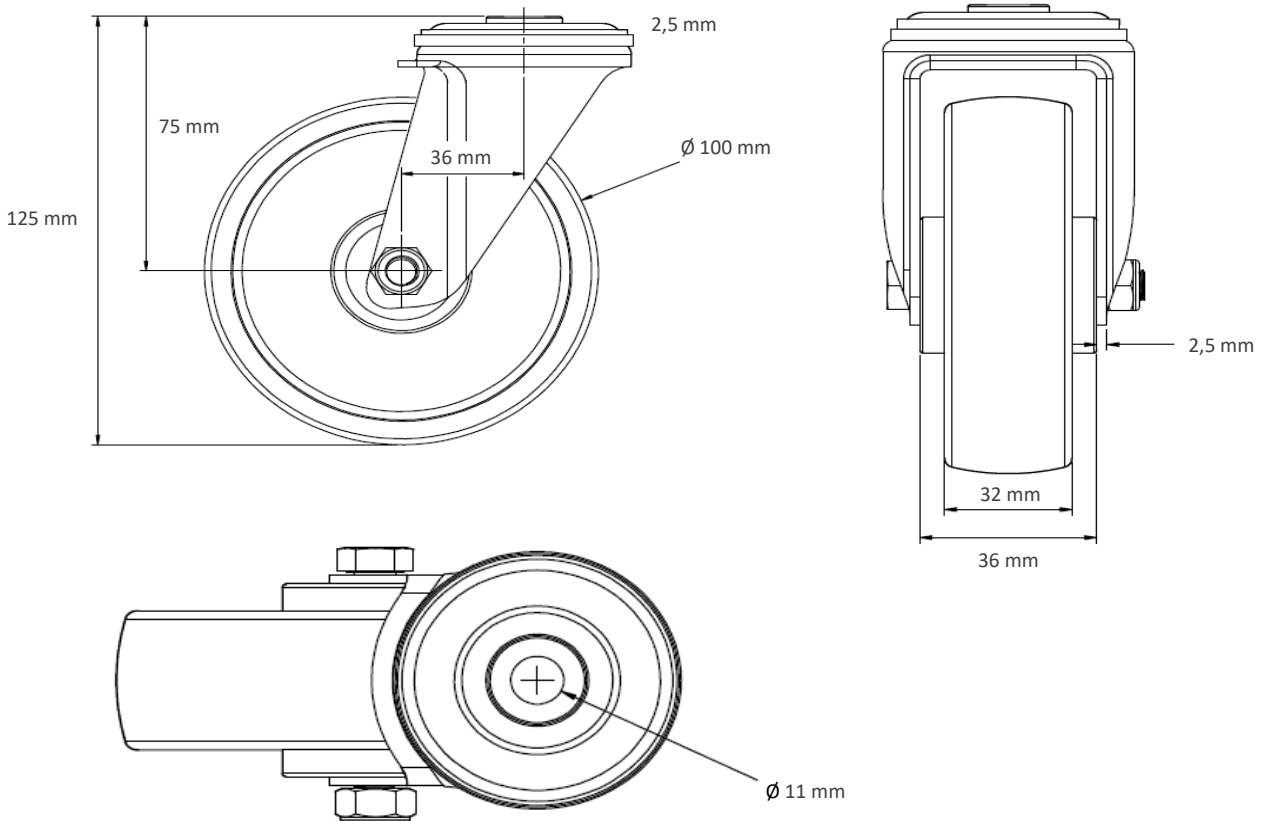
## housing / data

housing type	swivel castor with hole fitting
series	shopping trolleys
fixing type	bolt hole
hole dimensions / hub width	bolt hole 11 mm / 36 mm hub
thickness of fixing / fork	2.50 mm / 2.50 mm
surface treatment	galvanized blue zinc



## wheel / data

diameter	100 mm
wheel center	Polypropylene white
wheel tread	Polypropylene white
bearing	plain bearing
threadguard	no separate threadguard
hub width	36 mm
axle diameter	M 8
temperature range	-20°C - +60°C
dyn. load capacity	100 kg
test norm	DIN: EN 12530



Deviation possible! All information is subject to change.