

# Product Sheet



Item No. H I H 3 6 S C 080 N 2 U 6 Q 0 N

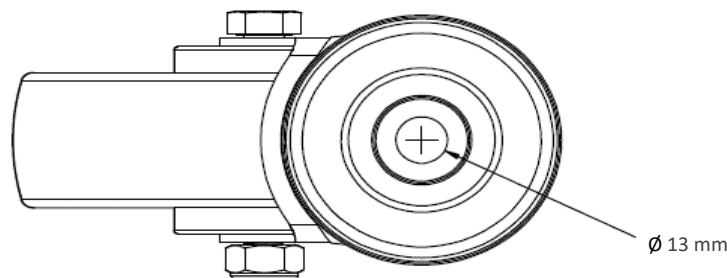
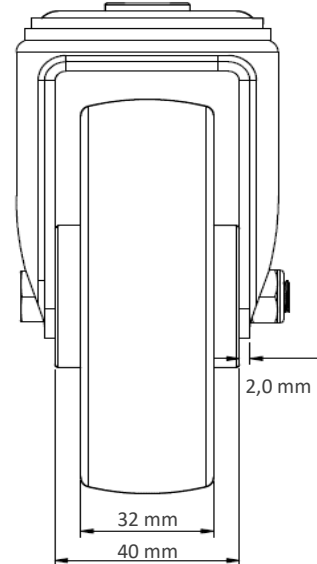
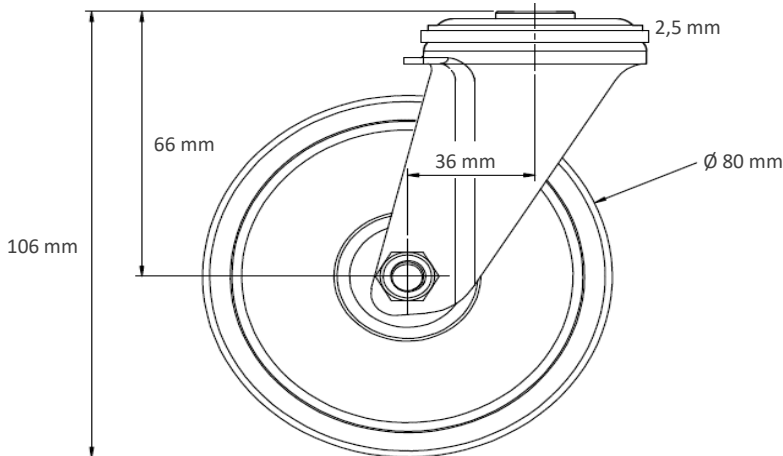
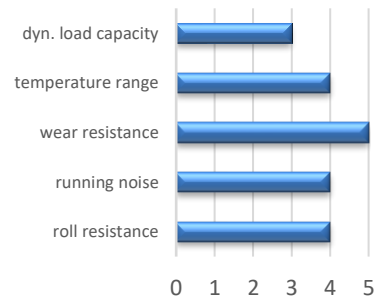
### housing / data

housing type swivel castor with hole fitting  
 series CASCOO Innovation  
 fixing type bolt hole  
 hole dimensions / hub width 80 x 60 mm / 52 mm  
 thickness of fixing / fork 2.50 mm / 2.00 mm  
 surface treatment stainless steel



### wheel / data

diameter 80 mm  
 wheel center Polyamide grey  
 wheel tread Polyurethane red  
 bearing roller bearing (stainless steel)  
 threadguard no separate threadguard  
 hub width 40 mm  
 axle diameter M 8  
 temperature range -40°C - +80°C  
 dyn. load capacity 130 kg  
 test norm DIN: EN 12532



Deviation possible! All information is subject to change.