

Product Sheet



Item No. H I H 3 6 S C 080 P 2 W 2 L 0 N

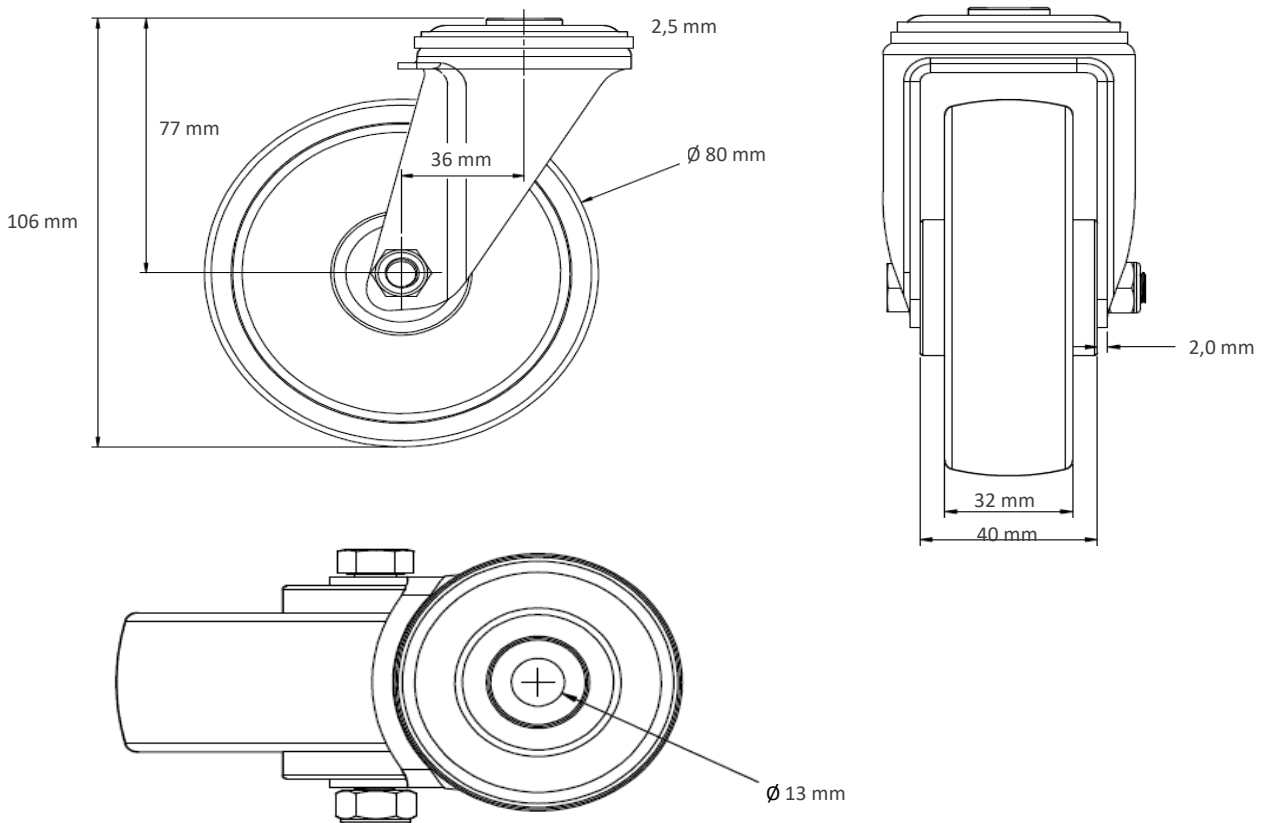
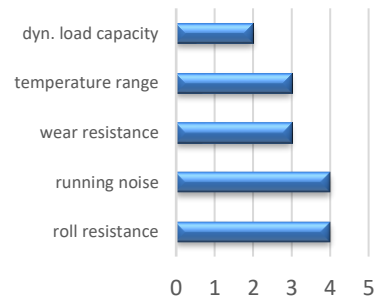
housing / data

housing type	swivel castor with hole fitting
series	CASCOO Innovation
fixing type	bolt hole
hole dimensions / hub width	13 mm Diameter / 42 mm
thickness of fixing / fork	2.50 mm / 2.00 mm
surface treatment	Stainless steel



wheel / data

diameter	80 mm
wheel center	Polypropylene grey
wheel tread	thermopl. rubber 95° Shore A
bearing	plain bearing (stainless steel)
threadguard	no separate threadguard
hub width	40 mm
axle diameter	M 8
temperature range	-20°C - +60°C
dyn. load capacity	80 kg
test norm	DIN: EN 12532



Deviation possible! All information is subject to change.