

# Product Sheet



Item No. H I H 8 6 S C 125 N O N O L O N

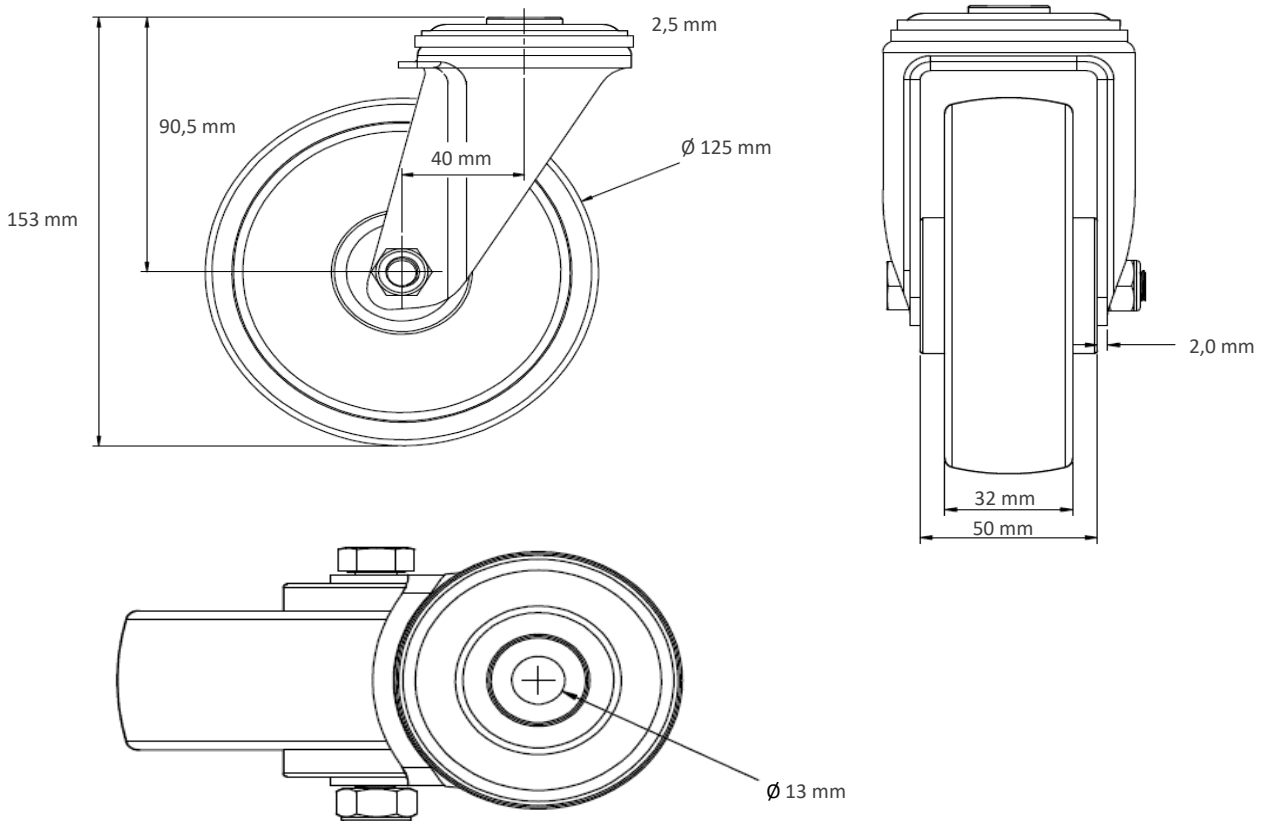
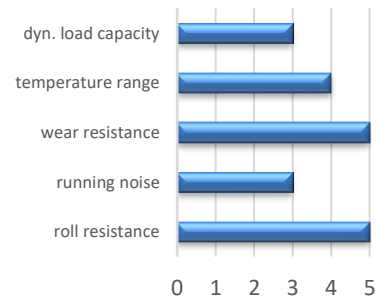
## housing / data

housing type	swivel castor with hole fitting
series	CASCOO Innovation
fixing type	bolt hole
hole dimensions / hub width	13 mm Diameter / 52 mm
thickness of fixing / fork	2.50 mm / 2.00 mm
surface treatment	Stainless steel



## wheel / data

diameter	125 mm
wheel center	Polyamide white
wheel tread	Polyamide white
bearing	Plain bearing (stainless steel)
threadguard	no separate threadguard
hub width	50 mm
axle diameter	M 8
temperature range	-40°C - +80°C
dyn. load capacity	200 kg
test norm	DIN: EN 12532



**Deviation possible! All information is subject to change.**