

Product Sheet



Item No. H P H 8 5 W C 125 R 4 E 1 B 3 4

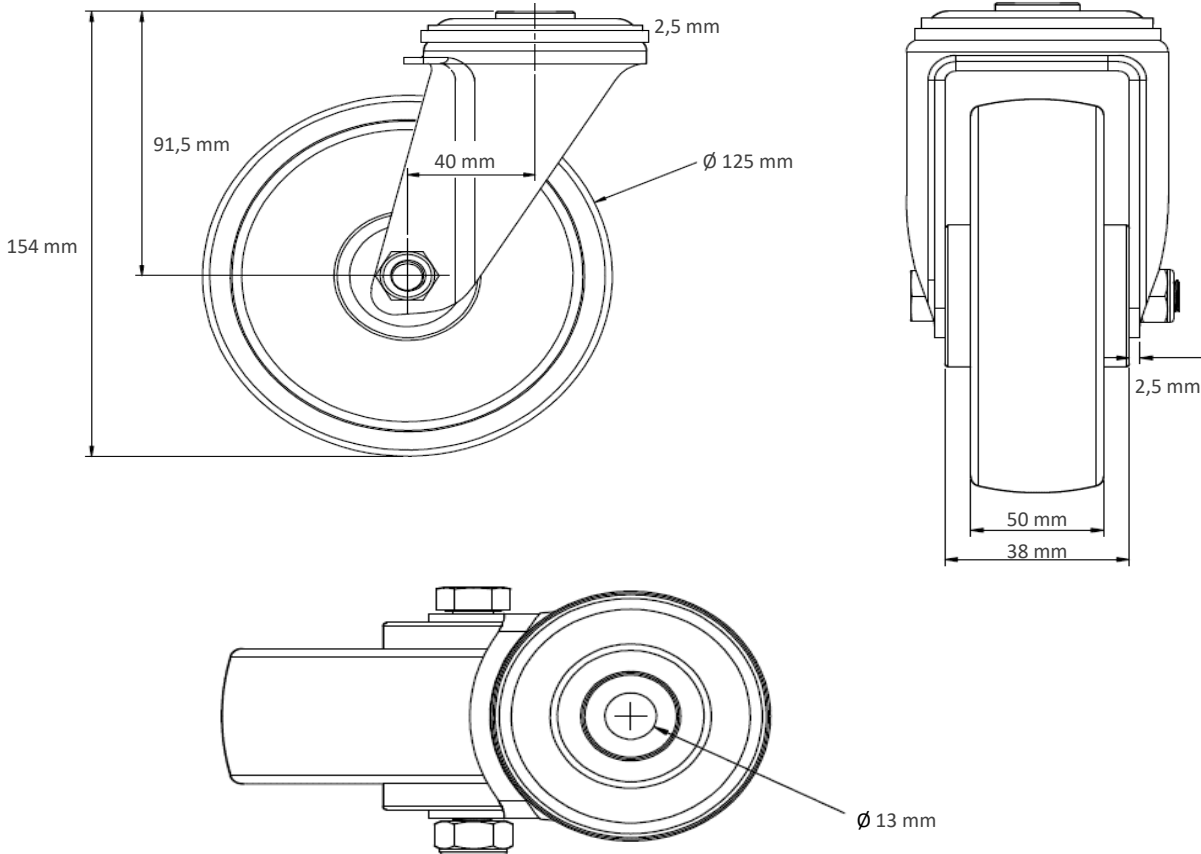
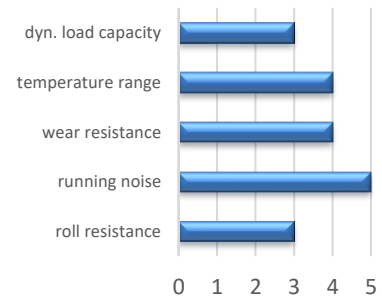
housing / data

housing type swivel castor with hole fitting
 series CASCOO Premium
 fixing type bolt hole
 hole dimensions / hub width 13 mm Diameter / 52 mm
 thickness of fixing / fork 2.50 mm / 2.50 mm
 surface treatment galvanized blue zinc



wheel / data

diameter 125 mm
 wheel center Polyamide black
 wheel tread elastic 65° Shore A blue
 bearing single ball bearing
 threadguard small plastic threadguard
 hub width 50 mm
 axle diameter M 10
 temperature range -20°C - +80°C
 dyn. load capacity 150 kg
 test norm DIN EN 12532



Deviation possible! All information is subject to change.