

Product Sheet



Item No. H P H 9 8 W C 200 R 4 E 1 D 3 4

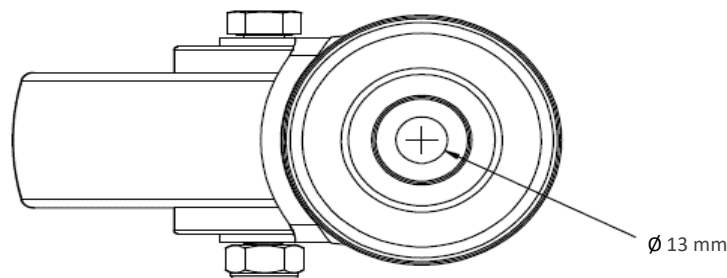
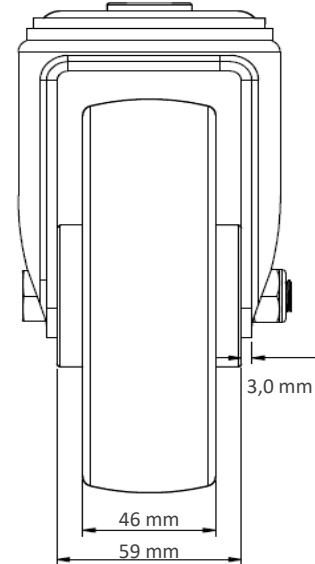
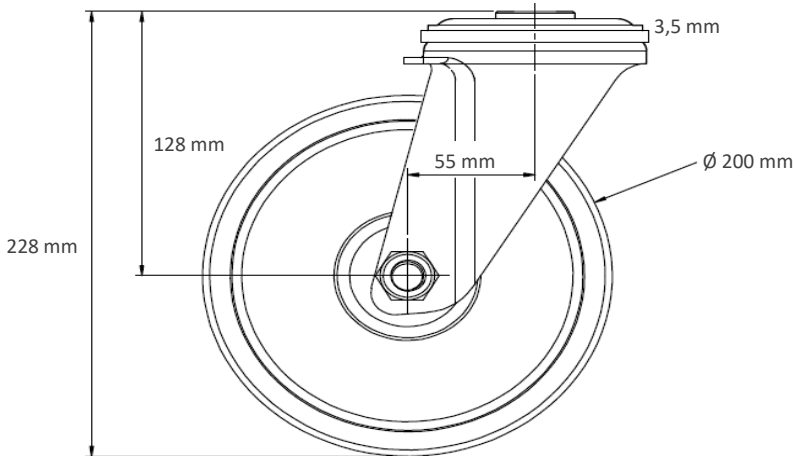
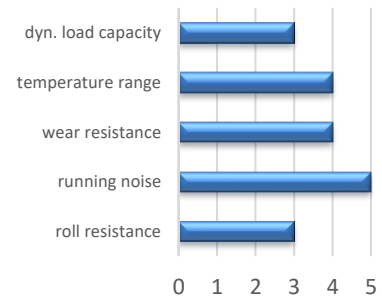
housing / data

housing type: swivel castor with hole fitting
 series: CASCOO Premium
 fixing type: bolt hole
 hole dimensions / hub width: 13 mm Diameter / 60 mm
 thickness of fixing / fork: 3.50 mm / 3.00 mm
 surface treatment: galvanized blue zinc



wheel / data

diameter: 200 mm
 wheel center: Polyamide black
 wheel tread: elastic 65° Shore A blue
 bearing: double ball bearing
 threadguard: small plastic threadguard
 hub width: 60 mm
 axle diameter: M 12
 temperature range: -20°C - +80°C
 dyn. load capacity: 250 kg
 test norm: DIN EN 12532



Deviation possible! All information is subject to change.