

Product Sheet



Item No. H Z H 3 5 W 0 050 S W U 5 D 0 N

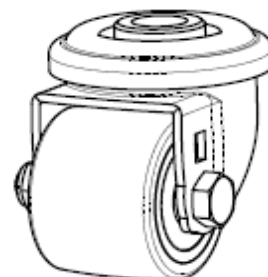
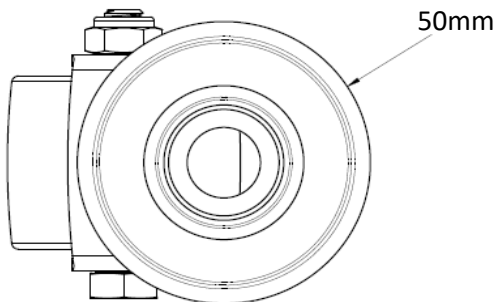
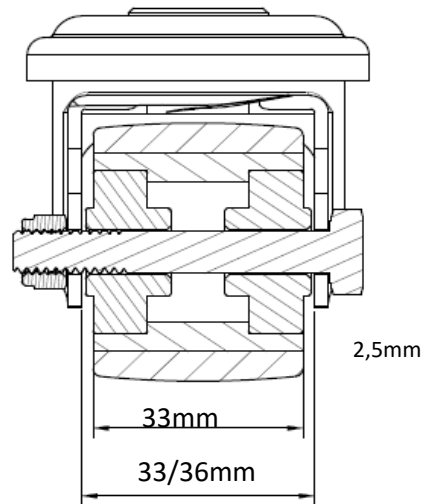
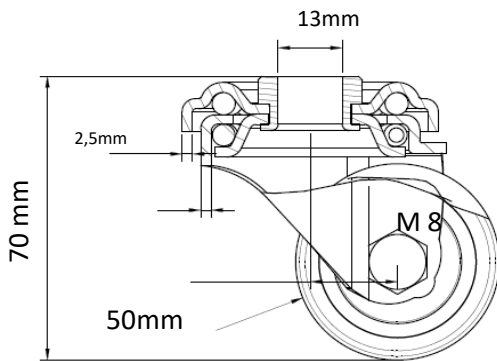
housing / data

housing type	swivel castor with hole fitting
series	compact castors
fixing type	bolt hole
hole dimensions / hub width	13 mm/36
thickness of fixing / fork	2.50 mm / 2.50 mm
surface treatment	galvanized blue zinc



wheel / data

diameter	50 mm
wheel center	steel rim
wheel tread	Polyurethane brown
bearing	double ball bearing
threadguard	no separate threadguard
hub width	33/36 mm
axle diameter	M 8
temperature range	-20°C - +60°C
dyn. load capacity	150 kg
test norm	DIN EN 12532



Deviation possible! All information is subject to change.