

# Product Sheet



Item No. S A P A 9 C O 050 P 4 P 4 P 0 N

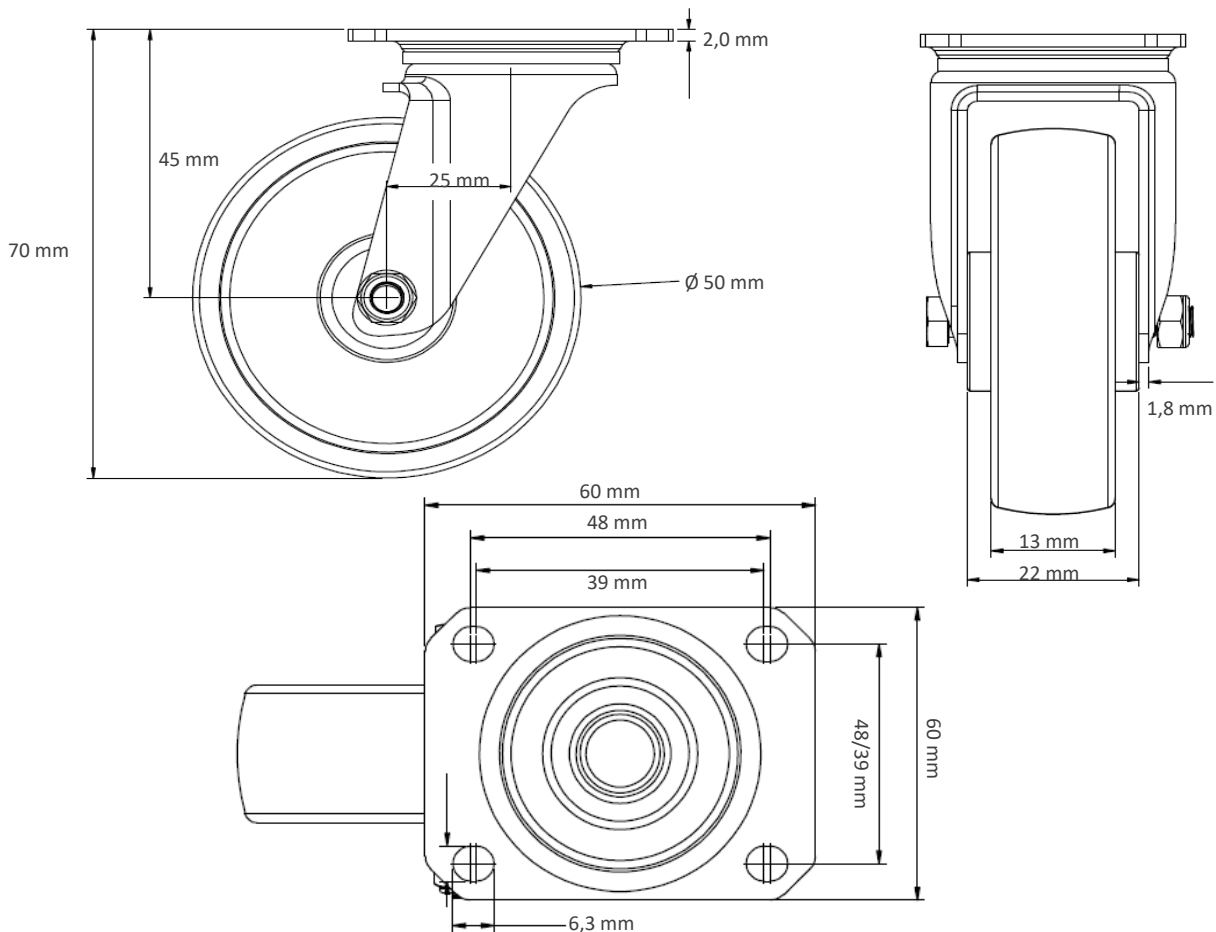
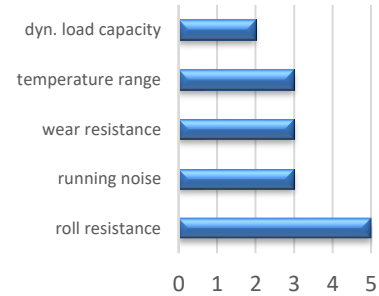
## housing / data

housing type	swivel castor
series	apparatus
fixing type	fixing plate
hole dimensions / hub width	60 x 60 mm / 28 mm
thickness of fixing / fork	2.00 mm / 1.80 mm
surface treatment	zinc-chromatised



## wheel / data

diameter	50 mm
wheel center	Polypropylene grey
wheel tread	Polypropylene grey
bearing	plain bearing
threadguard	no separate threadguard
hub width	22 mm
axle diameter	M 6
temperature range	-20°C - +60°C
dyn. load capacity	30
test norm	DIN EN 12530



Deviation possible! All information is subject to change.