

Product Sheet



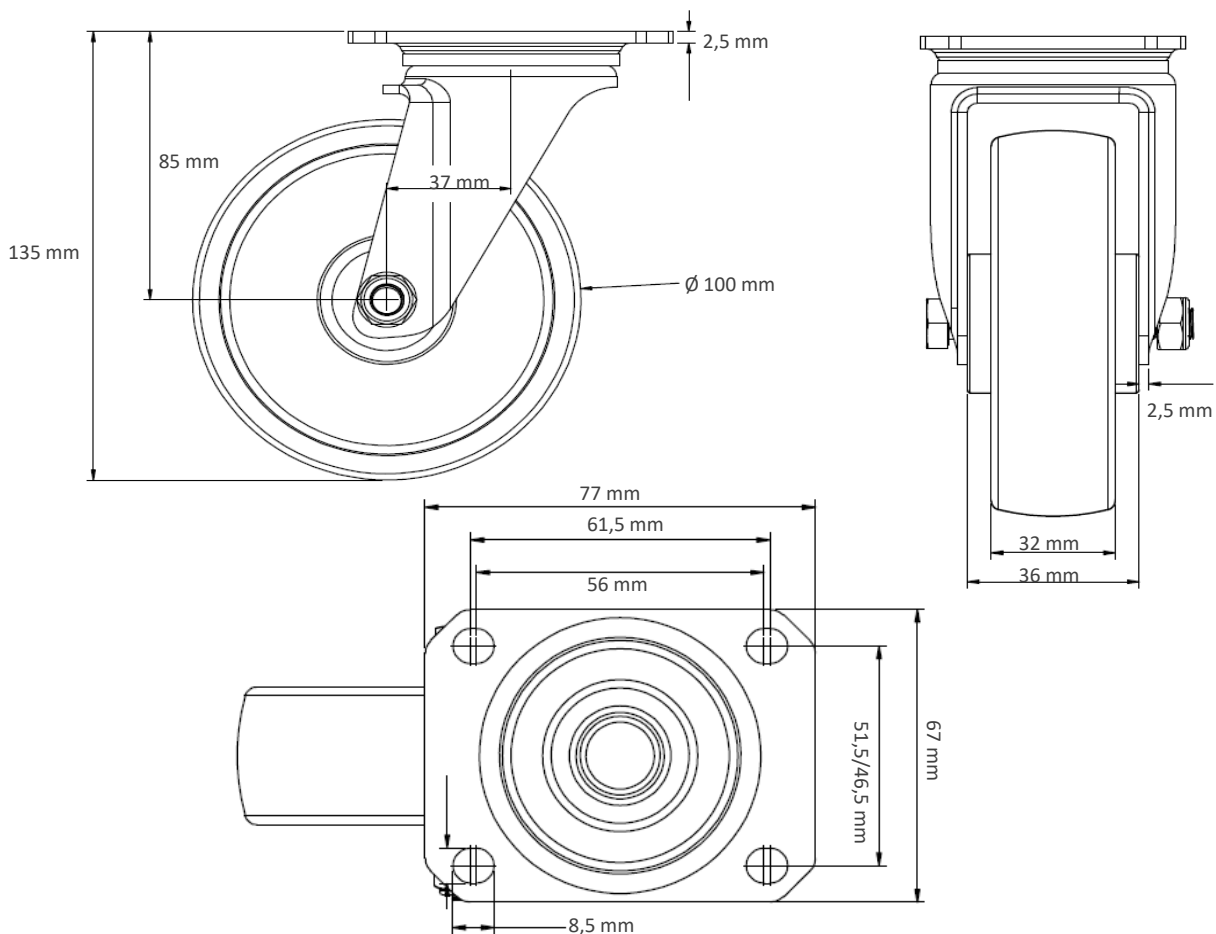
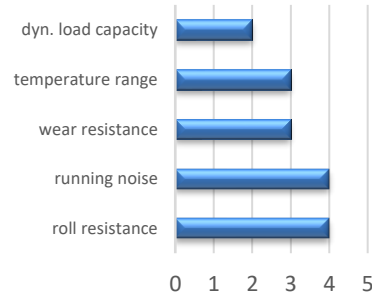
Item No. S A P E 5 C C 100 P 2 T 2 B 4 2E

housing / data

housing type swivel castor
 series apparatus
 fixing type fixing plate
 hole dimensions / hub width 77 x 67 mm / 36 mm
 thickness of fixing / fork 2.50 mm / 2.50 mm
 surface treatment zinc-chromatised
 elect. Cond. [Ω] : $10^3 < R < 10^5$

wheel / data

diameter 100 mm
 wheel center Polypropylene grey
 wheel tread thermopl. rubber 95° Shore A grey
 bearing single ball bearing
 threadguard full covering plastic threadguard
 hub width 36 mm
 axle diameter M 8
 temperature range -20°C - +60°C
 dyn. load capacity 70 kg



Deviation possible! All information is subject to change.