

# Product Sheet



Item No. S B P 2 5 W C 080 N 2 U 6 R 1 W

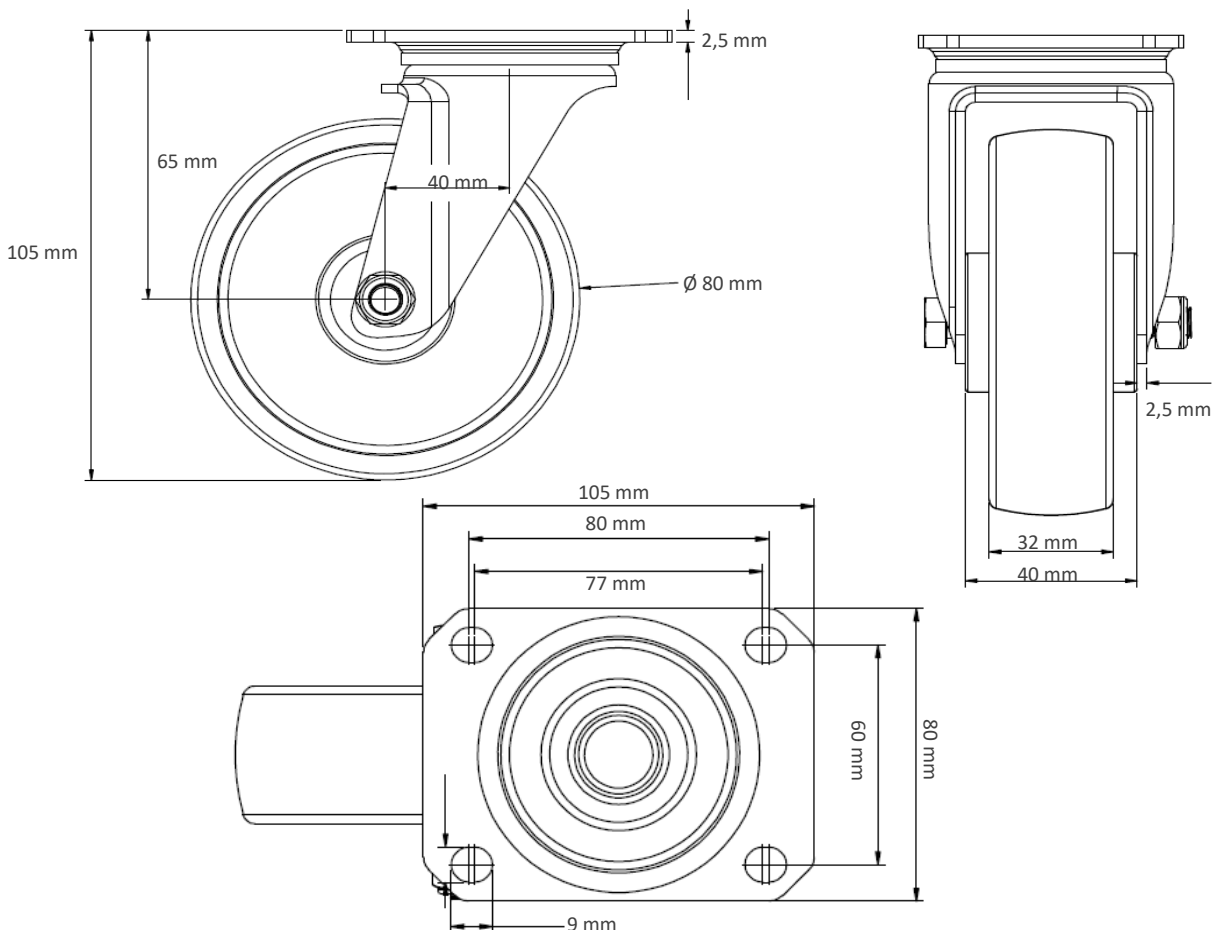
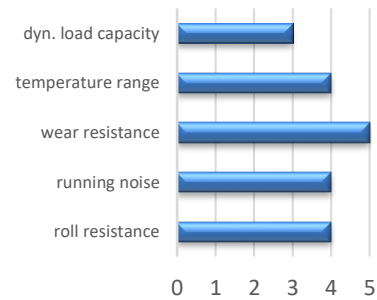
## housing / data

housing type	swivel castor
series	CASCOO Basics
fixing type	fixing plate
hole dimensions / hub width	80 x 60 mm / 42 mm
thickness of fixing / fork	2.50 mm / 2.50 mm
surface treatment	galvanized blue zinc



## wheel / data

diameter	80 mm
wheel center	Polyamide white
wheel tread	Polyurethane white
bearing	roller bearing
threadguard	small metal threadguard
hub width	40 mm
axle diameter	M 8
temperature range	-40°C - +80°C
dyn. load capacity	130 kg
test norm	DIN: EN 12532



Deviation possible! All information is subject to change.