

# Product Sheet

Deviation possible! All information is subject to change.



Item No. S B P 2 6 W C 100 P 2 D 2 B 3 2

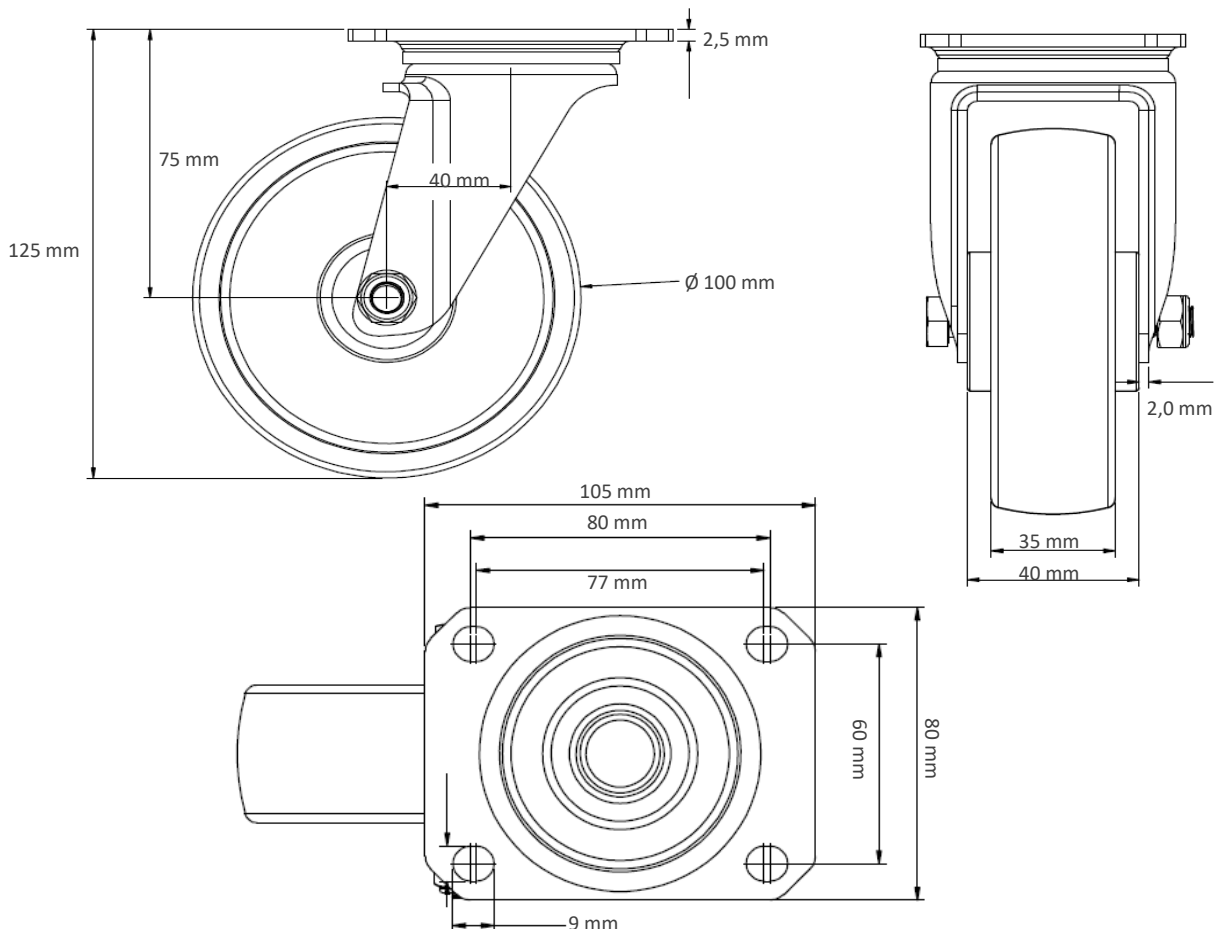
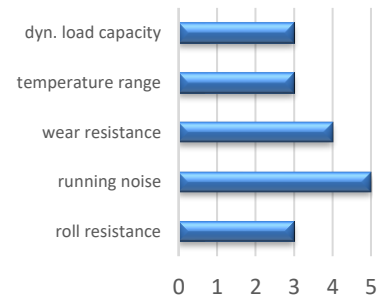
## housing / data

housing type	swivel castor
series	CASCOO Basics
fixing type	fixing plate
hole dimensions / hub width	80 x 60 mm / 42 mm
thickness of fixing / fork	2.50 mm / 2.00 mm
surface treatment	galvanized blue zinc



## wheel / data

diameter	100 mm
wheel center	Polypropylene grey
wheel tread	TPR grey 65° Shore A
bearing	single ball bearing
threadguard	small plastic threadguard
hub width	40 mm
axle diameter	M8
temperature range	-20°C - +60°C
dyn. load capacity	135 Kg
test norm	DIN: EN 12532



Deviation possible! All information is subject to change.