

Product Sheet



Item No. S B P 2 6 W C 100 P 2 G 2 B 3 2E

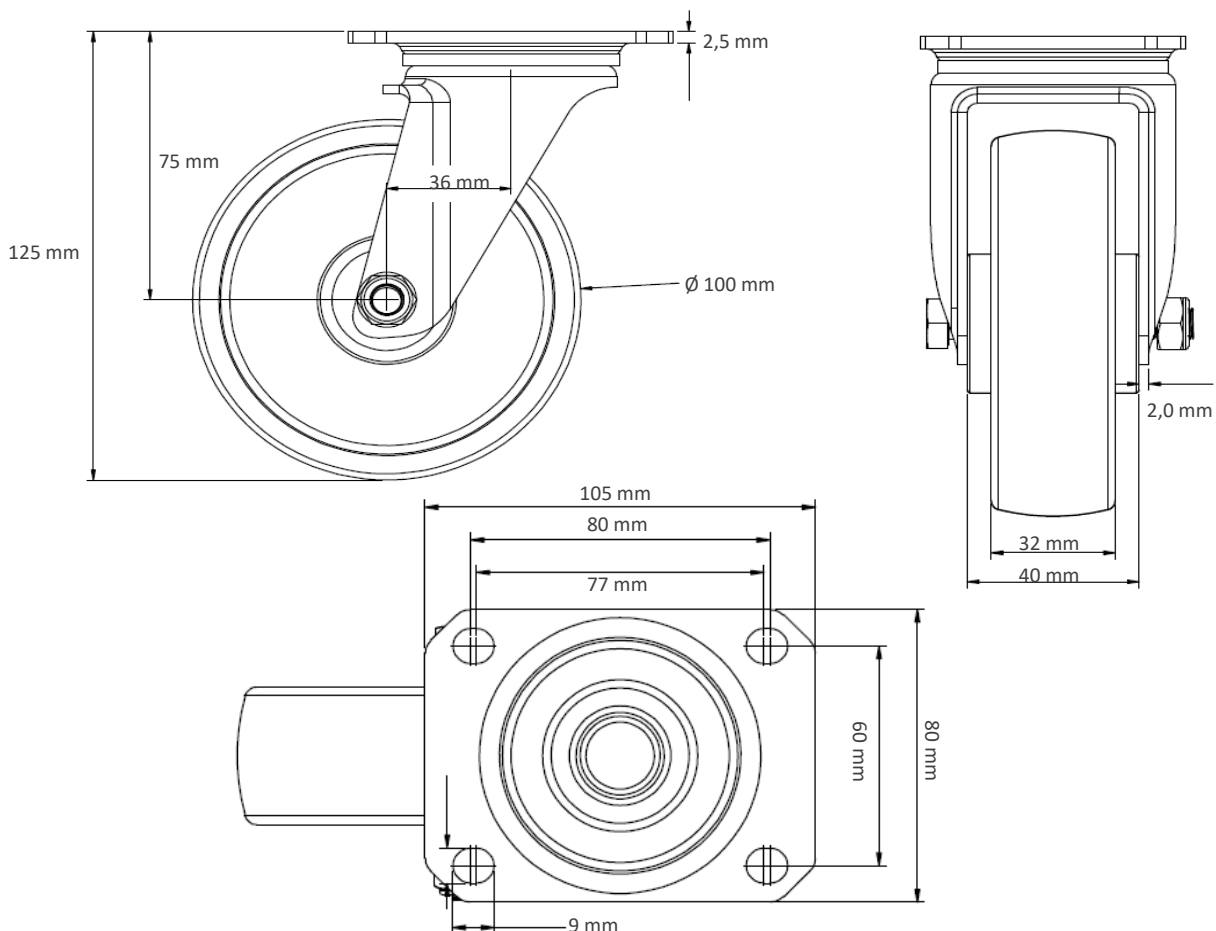
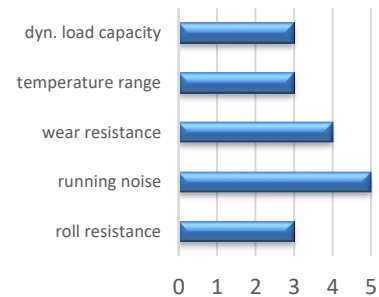
housing / data

housing type swivel castor
 series CASCOO Basics
 fixing type fixing plate
 hole dimensions / hub width 80 x 60 mm / 42 mm
 thickness of fixing / fork 2.50 mm / 2.00 mm
 surface treatment galvanized blue zinc
 elect. Cond. [Ω] : $10^3 < R < 10^5$



wheel / data

diameter 100 mm
 wheel center Polypropylene grey
 wheel tread thermopl. rubber 65° Shore A grey
 bearing single ball bearing
 threadguard small plastic threadguard
 hub width 40 mm
 axle diameter M 8
 temperature range -20°C - +60°C
 dyn. load capacity 90 kg
 test norm DIN: EN 12532



Deviation possible! All information is subject to change.