

Product Sheet



Item No. S B P 2 6 W C 100 P 2 W 2 R 1 W

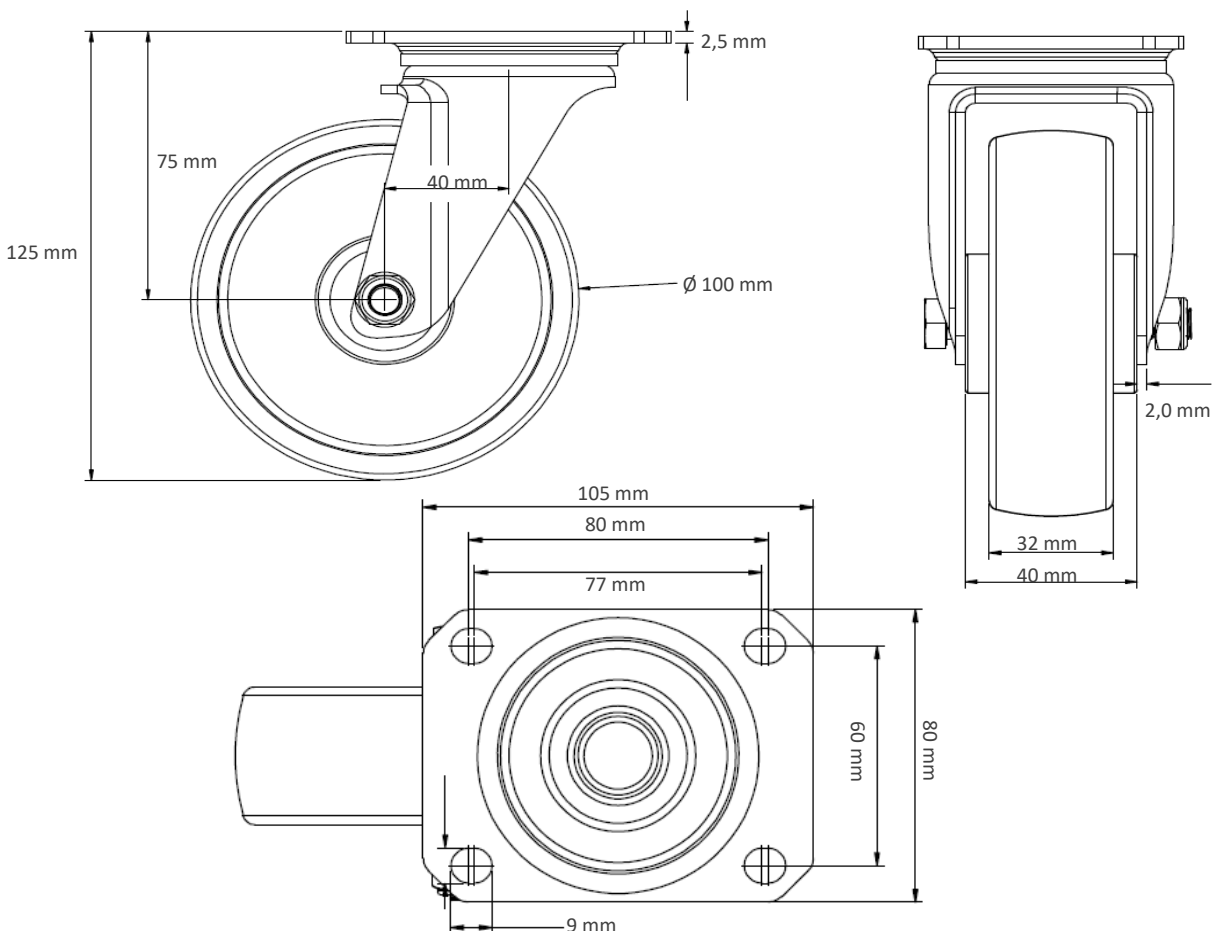
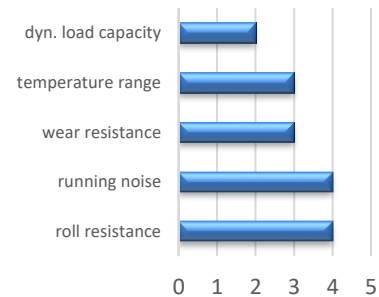
housing / data

housing type	swivel castor
series	CASCOO Basics
fixing type	fixing plate
hole dimensions / hub width	80 x 60 mm / 42 mm
thickness of fixing / fork	2.50 mm / 2.00 mm
surface treatment	galvanized blue zinc



wheel / data

diameter	100 mm
wheel center	Polypropylene grey
wheel tread	thermopl. rubber 85° Shore A grey
bearing	roller bearing
threadguard	small metal threadguard
hub width	40 mm
axle diameter	M 8
temperature range	-20°C - +60°C
dyn. load capacity	100 kg
test norm	DIN EN 12532



Deviation possible! All information is subject to change.