

# Product Sheet



Item No. S B P 2 6 W C 100 P 4 R 2 R 0 N

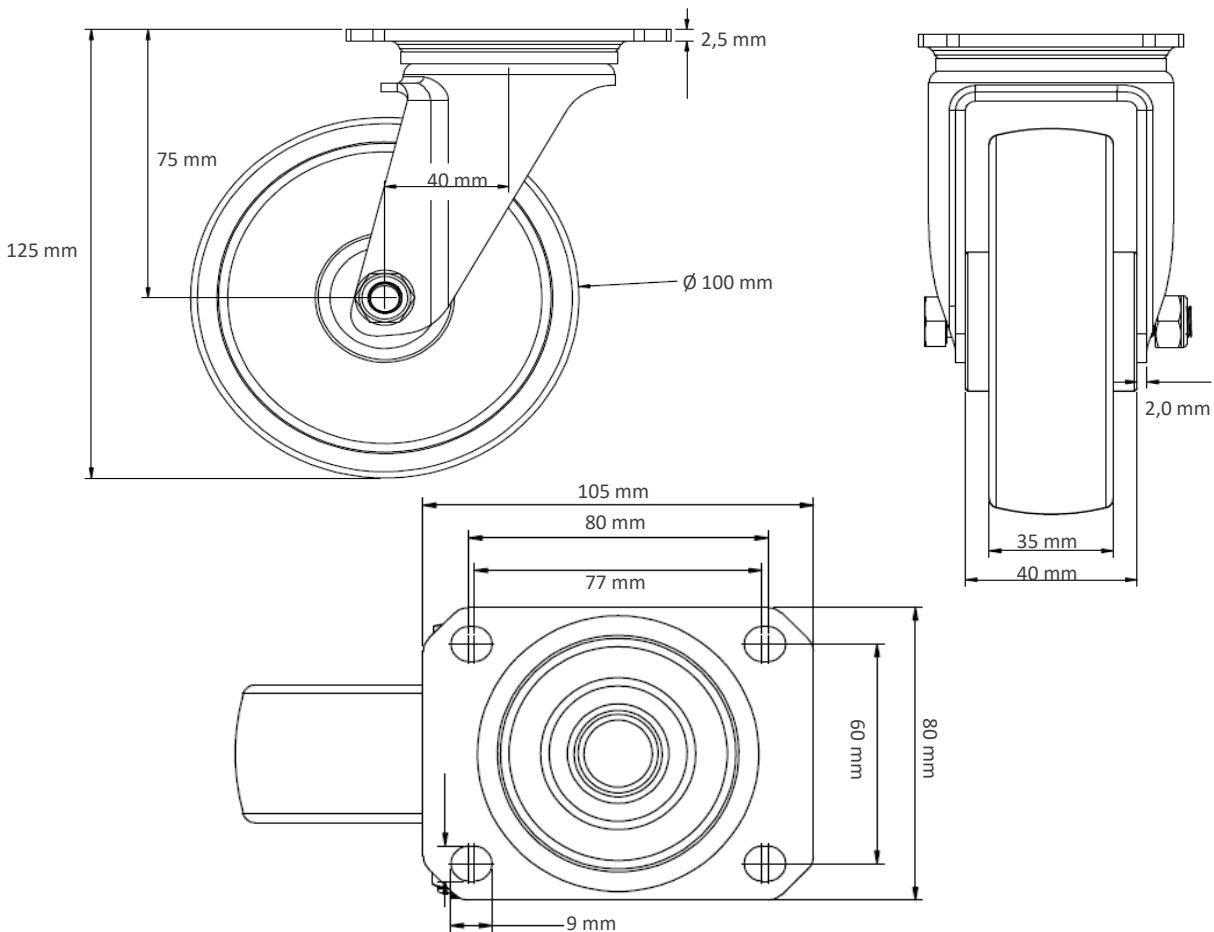
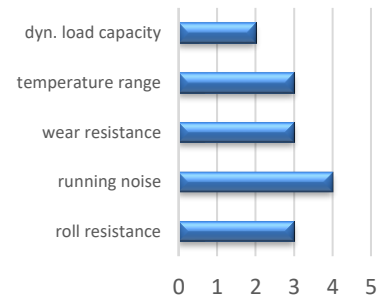
### housing / data

housing type	swivel castor
series	CASCOO Basics
fixing type	fixing plate
hole dimensions / hub width	80 x 60 mm / 42 mm
thickness of fixing / fork	2.50 mm / 2.00 mm
surface treatment	galvanized blue zinc



### wheel / data

diameter	100 mm
wheel center	Polypropylene black
wheel tread	solid rubber grey
bearing	roller bearing
threadguard	no separate threadguard
hub width	40 mm
axle diameter	M 8
temperature range	-20°C - +60°C
dyn. load capacity	75 kg
test norm	DIN EN 12532



Deviation possible! All information is subject to change.