

# Product Sheet



Item No. S B P 3 5 W C 125 P 2 V 2 R 1 W

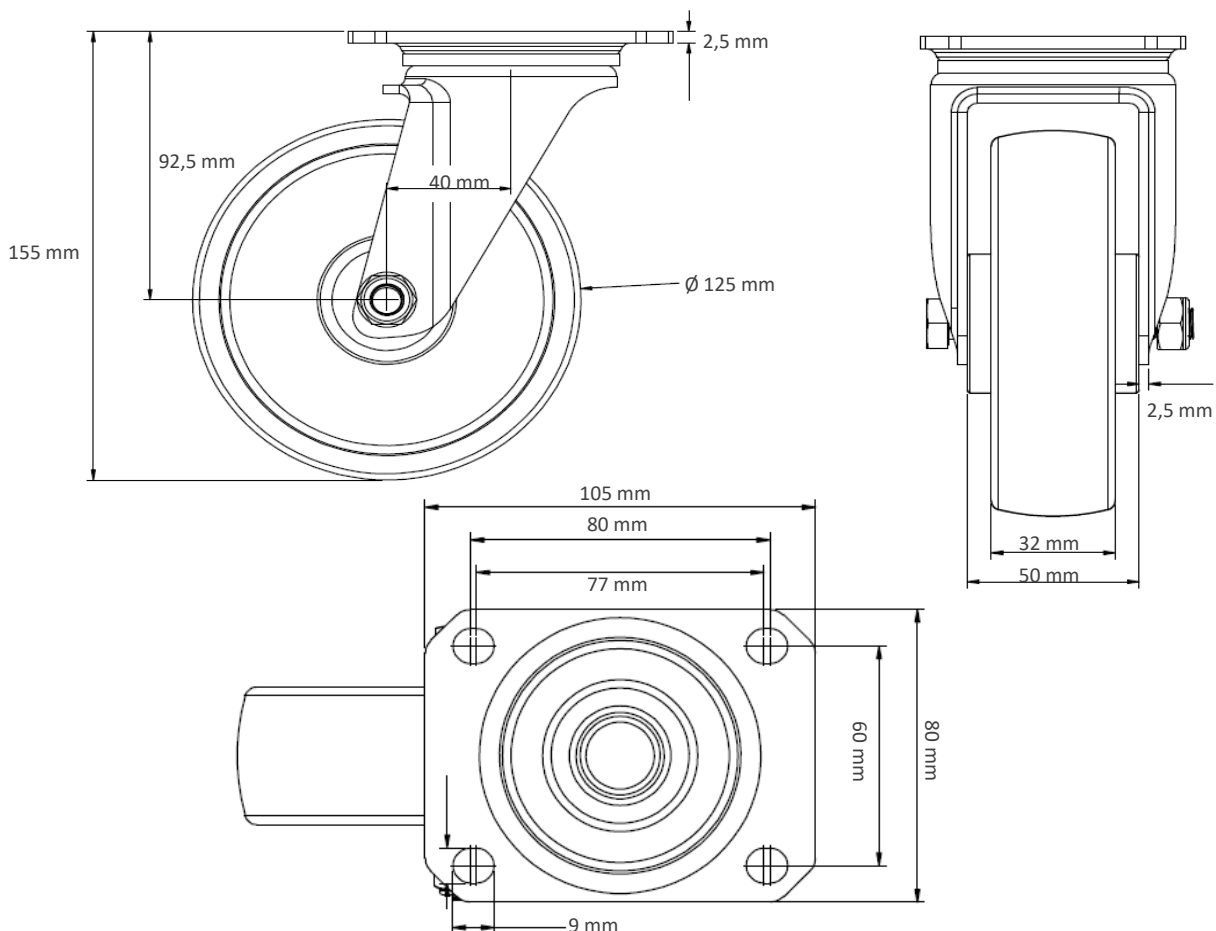
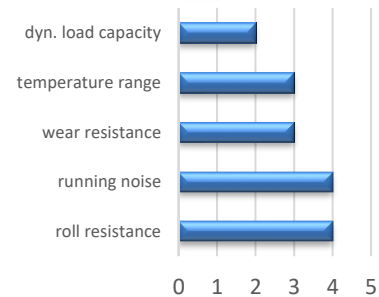
### housing / data

|                             |                      |
|-----------------------------|----------------------|
| housing type                | swivel castor        |
| series                      | CASCOO Basics        |
| fixing type                 | fixing plate         |
| hole dimensions / hub width | 80 x 60 mm / 52 mm   |
| thickness of fixing / fork  | 2.50 mm / 2.50 mm    |
| surface treatment           | galvanized blue zinc |



### wheel / data

|                    |                                   |
|--------------------|-----------------------------------|
| diameter           | 125 mm                            |
| wheel center       | Polypropylene grey                |
| wheel tread        | thermopl. rubber 85° Shore A grey |
| bearing            | roller bearing                    |
| threadguard        | small metal threadguard           |
| hub width          | 50 mm                             |
| axle diameter      | M 10                              |
| temperature range  | -20°C - +60°C                     |
| dyn. load capacity | 135 kg                            |
| test norm          | DIN EN 12532                      |



Deviation possible! All information is subject to change.